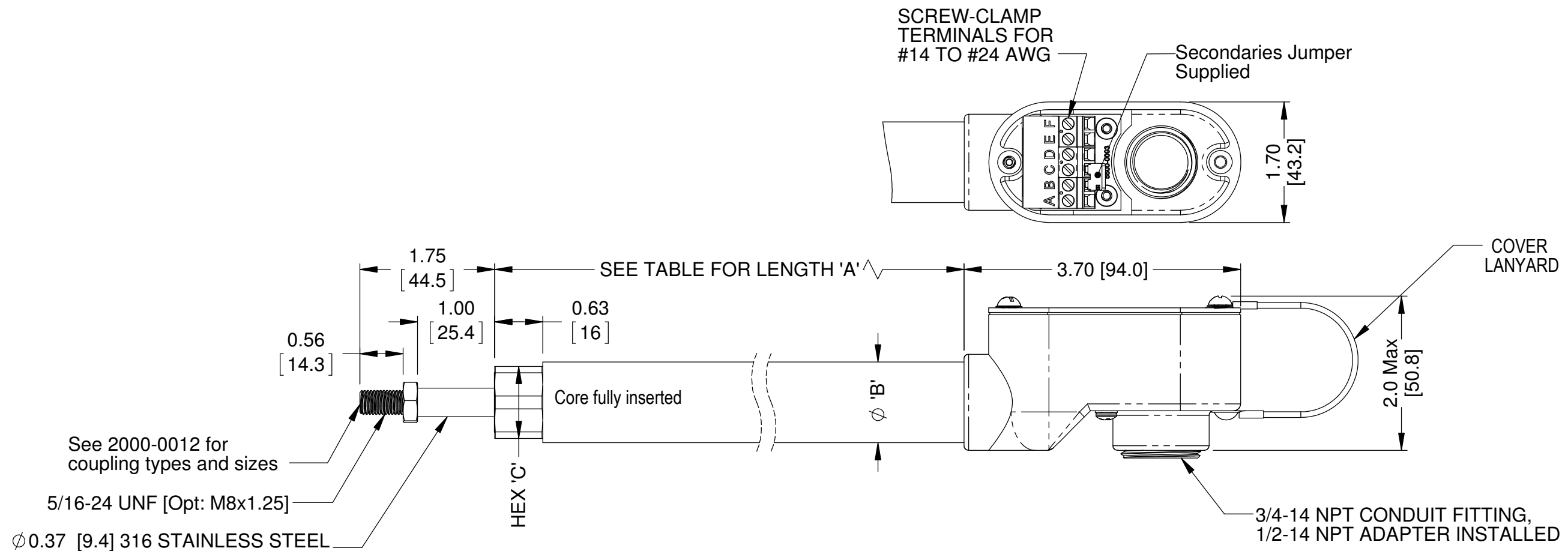
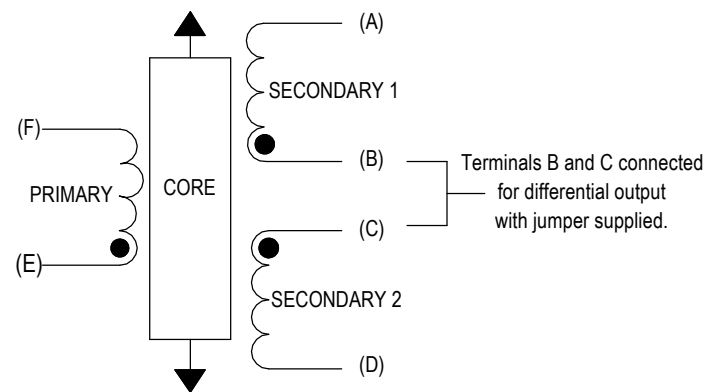


Full Ranges: See Chart Below  
 Excitation Frequency: 2.5 kHz nominal  
 Excitation Voltage: 3 V ACrms nominal  
 Full Scale Output: 2.12 V ACrms ±10%  
 Linearity Error: ≤±0.5% of FRO (BFSL)  
 Operating Temperature: -40 to 175 C (-40 to 350°F)  
 Temperature Coefficient: ≤±0.025% of FRO/K  
 Relative Humidity: 95% non-condensing  
 Shock: 1000 g, 11 msec.  
 Vibration: 5-20 Hz, 0.5 inch p-p; 20-2000 Hz, 4.2 g p-p



MODEL	BODY DIAMETER 'B'	HEX 'C'
PGHD	1.05 INCHES [26.7 MM]	0.937 INCHES [23.8 MM]
PGSD	1.32 INCHES [33.5 MM]	1.125 INCHES [28.6 MM]

MODEL NUMBER	LINEAR RANGE	BODY LENGTH 'A'	
PGXD-0203-10	3.00 INCHES	6.50 INCHES	165.1 MM
PGXD-0406-10	6.00 INCHES	10.25 INCHES	260.4 MM
PGXD-0609-10	9.00 INCHES	13.25 INCHES	336.6 MM
PGXD-0912-10	12.00 INCHES	17.25 INCHES	438.2 MM
PGXD-1215-10	15.00 INCHES	21.25 INCHES	539.8 MM
PGXD-1216-10	16.00 INCHES	21.25 INCHES	539.8 MM



MATERIAL: ANODIZED ALUMINUM UNLESS OTHERWISE SPECIFIED

UNLESS OTHERWISE SPECIFIED:		CONTRACT NO.	
1. DO NOT SCALE DRAWING		--	
2. DIMENSIONS ARE IN INCHES			
3. INTERPRET DIM/TOL PER ANSI Y14.5M-1994		DRAWN BY: G E Miller	
4. DEBURR/BREAK SHARP EDGES		DATE: 06-10-21	
5. DIMS ARE BEFORE FINISH		ENGINEER: Ed Herceg	
6. (DATA) FOR REFERENCE ONLY		CHECKED BY: Ed Herceg	
TOLERANCES		DATE: 06-10-21	
DECIMAL:	ANGULAR:	QA:	
.XX ±.010	±.5°	--	
.XXX ±.005		MFG: --	
THIRD ANGLE PROJECTION		APPROVED BY: --	
		--	

**ALLIANCE SENSORS GROUP**  
 A DIVISION OF H.G. SCHAEVITZ LLC  
 Moorestown, New Jersey USA [alliancesensors.com](http://alliancesensors.com)

**High output PG Series LVDT Outline**

SIZE: <b>B</b>	CAGE CODE: N/A	DWG. NO: <b>2000-0013-10</b>	REV: --
FILENAME: 2000-0013_PG SERIES LVDT_OUTLINE	SCALE: N/A	RELEASE DATE: --	SHEET 1 OF 1