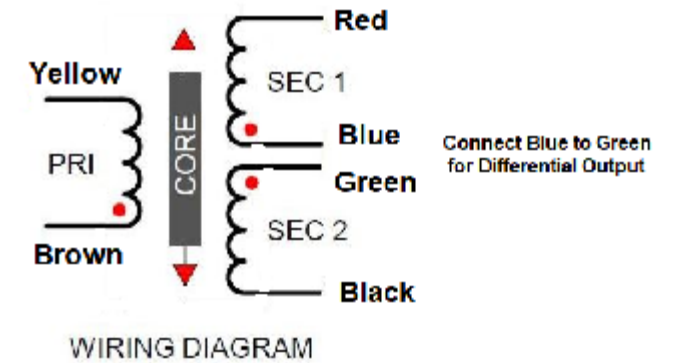
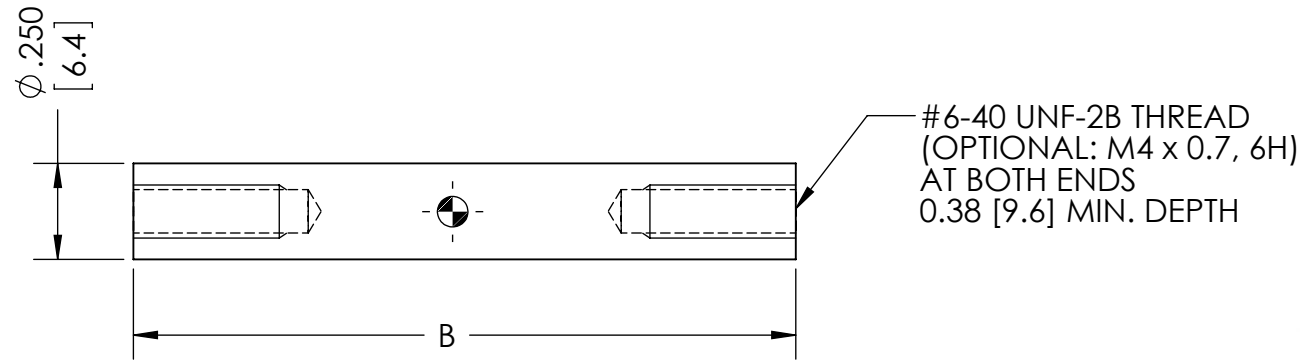
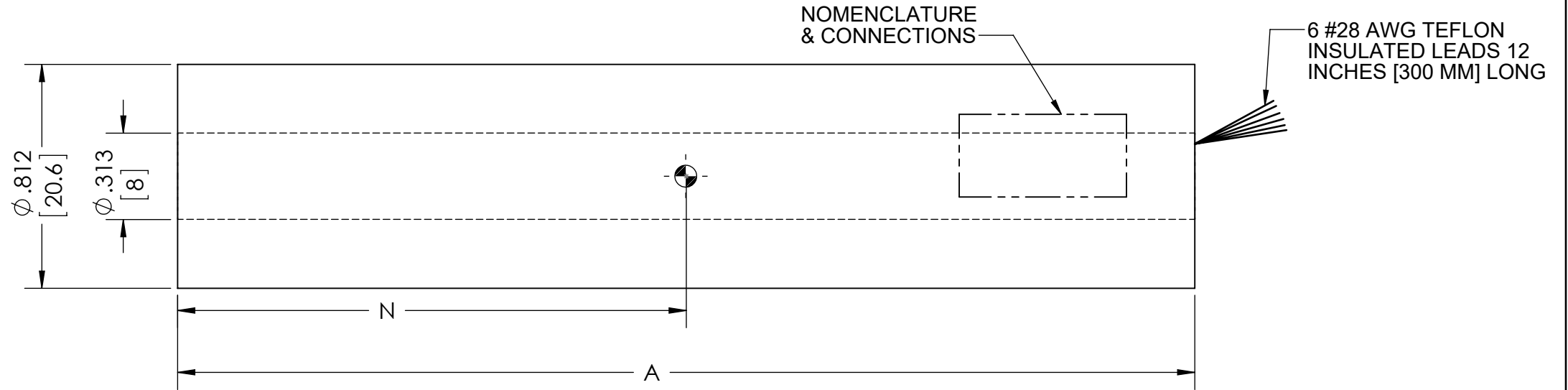


LVDT GENERAL SPECIFICATIONS:

Input Voltage: 3.0 Vrms (nominal)
 Input Frequency: 2.5 to 3.3 kHz
 Measuring Ranges: See table below
 Sensitivity: See table below
 Linearity Error: $\leq \pm 0.25\%$ of FRO (Full Range Output)
 Resolution: 0.001% of FSO (Full Scale Output)
 Repeatability Error: $< 0.01\%$ of FSO
 Hysteresis Error: $< 0.01\%$ of FSO
 Operating Temperature Range: -55 to 125 C
 Temperature Coefficient of Sensitivity: $< -0.02\%$ of FSO/ $^{\circ}$ C
 Humidity: 95% RH non-condensing
 Vibration: 5 - 20 Hz, 0.5 inch p-p; 20 - 2000 Hz, 10g p-p
 Shock: 1000 g, 11 msec.
 Sealing: IEC IP-69K

Specifications are subject to change without notice.

REVISIONS			
REV.	DESCRIPTION	DATE	APPROVED
--	INITIAL RELEASE	12-04-17	EH
A	REVISED AS PER ECN 19-275	04-30-19	EH



-ZZ	LVDT Options
Blank	Unified core thd.
-06	Metric core thd.
-10	Unified core thd. Teflon bore liner
-16	Metric core thd. Teflon bore liner

Nominal Range	Sensitivity	Primary Z	Body Length A	Core Length B	Null Point N	Body Weight	Core Weight
inches [mm]	mV/V/.001in [mm]	Ohms	inches [mm]	inches [mm]	inches [mm]	oz. [grams]	oz. [grams]
± 0.05 [1.3]	6.50 [255]	400	1.13 [28.7]	0.80 [20.3]	0.56 [14.3]	1.02 [29]	0.14 [4.0]
± 0.10 [2.5]	4.00 [155]	1000	1.75 [44.5]	1.25 [31.7]	0.88 [22.2]	1.41 [40]	0.22 [6.2]
± 0.20 [5.0]	2.40 [95]	1900	2.50 [63.5]	1.65 [41.9]	1.25 [31.7]	1.73 [48]	0.30 [8.5]
± 0.50 [12.5]	0.65 [25]	1400	5.02 [127.5]	3.45 [87.6]	2.51 [63.7]	2.82 [80]	0.72 [20.4]
± 1.00 [25]	0.65 [25]	1650	6.51 [165.4]	3.45 [87.6]	3.25 [82.5]	3.81 [108]	0.72 [20.4]
± 2.00 [50]	0.39 [15]	1875	10.02 [254.5]	5.30 [134.6]	5.01 [127.2]	5.00 [142]	1.20 [34.0]
± 3.00 [75]	0.26 [10]	1950	12.75 [323.9]	6.20 [157.5]	6.38 [161.9]	7.69 [218]	1.47 [41.7]
± 4.00 [100]	0.18 [7.1]	425	15.20 [386.1]	6.20 [157.5]	7.60 [193.0]	9.80 [278]	1.47 [41.7]
± 5.00 [125]	0.13 [5.1]	1050	17.75 [450.9]	6.20 [157.5]	8.88 [225.4]	11.71 [332]	1.47 [41.7]
± 7.50 [190]	0.12 [4.3]	1380	22.85 [580.4]	7.00 [177.8]	11.43 [290.2]	16.93 [480]	1.51 [42.8]
± 10.00 [250]	0.08 [3.1]	1050	30.64 [778.3]	9.50 [241.3]	15.32 [389.1]	20.53 [582]	2.20 [62.4]

UNLESS OTHERWISE SPECIFIED:		CONTRACT NO.	
1. DO NOT SCALE DRAWING		--	
2. DIMENSIONS ARE IN INCHES		--	
3. INTERPRET DIM/TOL PER ANSI Y14.5M-1994		--	
4. DEBURR/BREAK SHARP EDGES		--	
5. DIMS ARE BEFORE FINISH		--	
6. (DATA) FOR REFERENCE ONLY		--	
TOLERANCES		DRAWN BY:	DATE:
DECIMAL: .XX $\pm .010$		SP	12-04-17
ANGULAR: $\pm 5^{\circ}$		ENGINEER:	--
THIRD ANGLE PROJECTION		Ed Herceg	--
CHECKED BY:		Ed Herceg	--
MFG:		--	--
APPROVED BY:		--	--

ALLIANCE SENSORS GROUP
 A DIVISION OF H.G. SCHAEVITZ LLC
 Moorestown, New Jersey USA alliancesensors.com

LA-20.6-A-XX-12-ZZ Series LVDT Outline

SIZE: B CAGE CODE: 7LE43 DWG. NO.: 2000-0026-XX-ZZ REV: A

FILENAME: 2000-0026-XX-ZZ SCALE: 2:1 RELEASE DATE: -- SHEET 1 OF 1

DWG. NO. 2000-0026-XX-ZZ REV. A EDITION 05-17-19 BY: SP