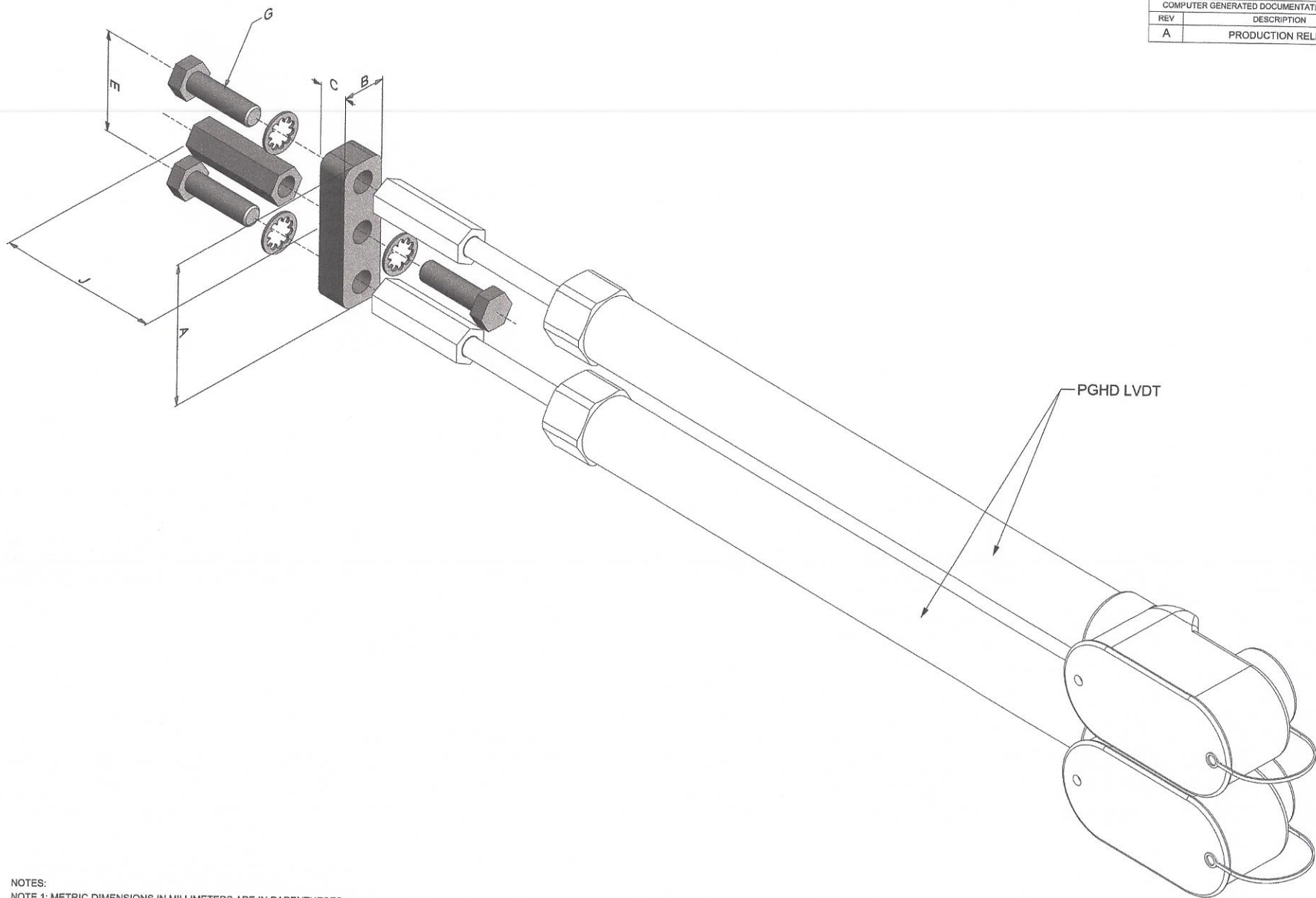


COMPUTER GENERATED DOCUMENTATION MAKE NO REVISIONS		
REV	DESCRIPTION	DATE
A	PRODUCTION RELEASE	11/16/2011



NOTES:
 NOTE 1: METRIC DIMENSIONS IN MILLIMETERS ARE IN PARENTHESES
 NOTE 2: N/A MEANS NOT APPLICABLE OR APPROPRIATE TO MOUNTING
 NOTE 3: HEIGHT DOES NOT INCLUDE MOUNTING SCREW HEAD HEIGHT
 NOTE 4: METRIC SCREW SIZE IS ALTERNATIVE, NOT EXACT EQUIVALENT

DIMENSION IDENTIFICATION		A	B	C	D	E	F	G	H	J
DESCRIPTION	LVDT TYPE	LENGTH	THICK	HEIGHT	CENTER HEIGHT	CENTER CENTER	MOUNTING CENTER	SCREW SIZE	SCREW LENGTH	NUT PROJECTION
DUAL CORE ROD TIE BAR	PGHD	2.50 (63.5)	0.75 (19)	0.50 (12.7)	N/A	1.77 (45)	N/A	3/8-24	N/A	1.75 (43.2)

UNLESS OTHERWISE SPECIFIED DIMENSIONS ARE IN INCHES TOLERANCES ARE:

DECIMAL	ANGLE
X.XX = ±0.01	±0° 30'
X.XXX = ±0.005	

DUAL DIMENSIONS 1.00in (25.4mm)

NEXT ASSY

USED ON

PROPRIETARY NOTICE

INFORMATION CONTAINED IN THIS DOCUMENT IS THE PROPERTY OF EVERIGHT SENSORS. DO NOT DISTRIBUTE OR COPY WITHOUT WRITTEN PERMISSION.

APPROVALS	DATE
DRAWN: JSB	11/16/11
CHECKED:	
APPROVED:	

DO NOT SCALE DRAWING

TITLE: GENERAL ASSEMBLY DRAWING
 DUAL CORE ROD TIE BAR
 DTB KIT

DWG NO. C A

Scale = 2:1

Sheet 1 of 1