

SPECIFICATIONS:

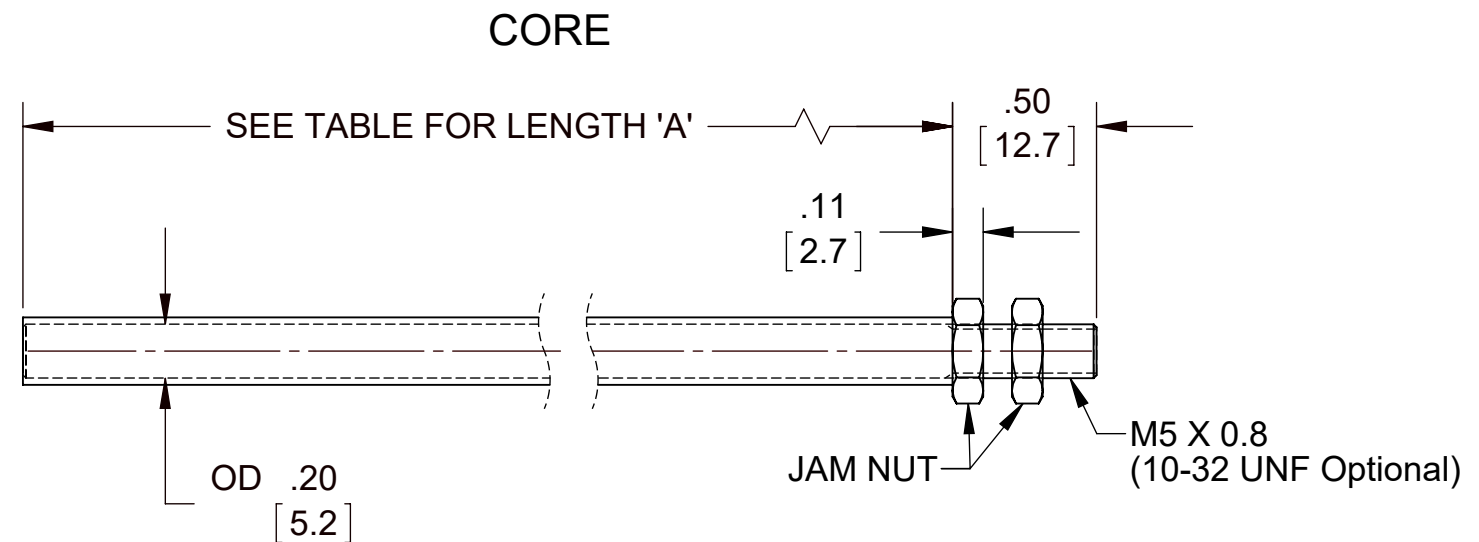
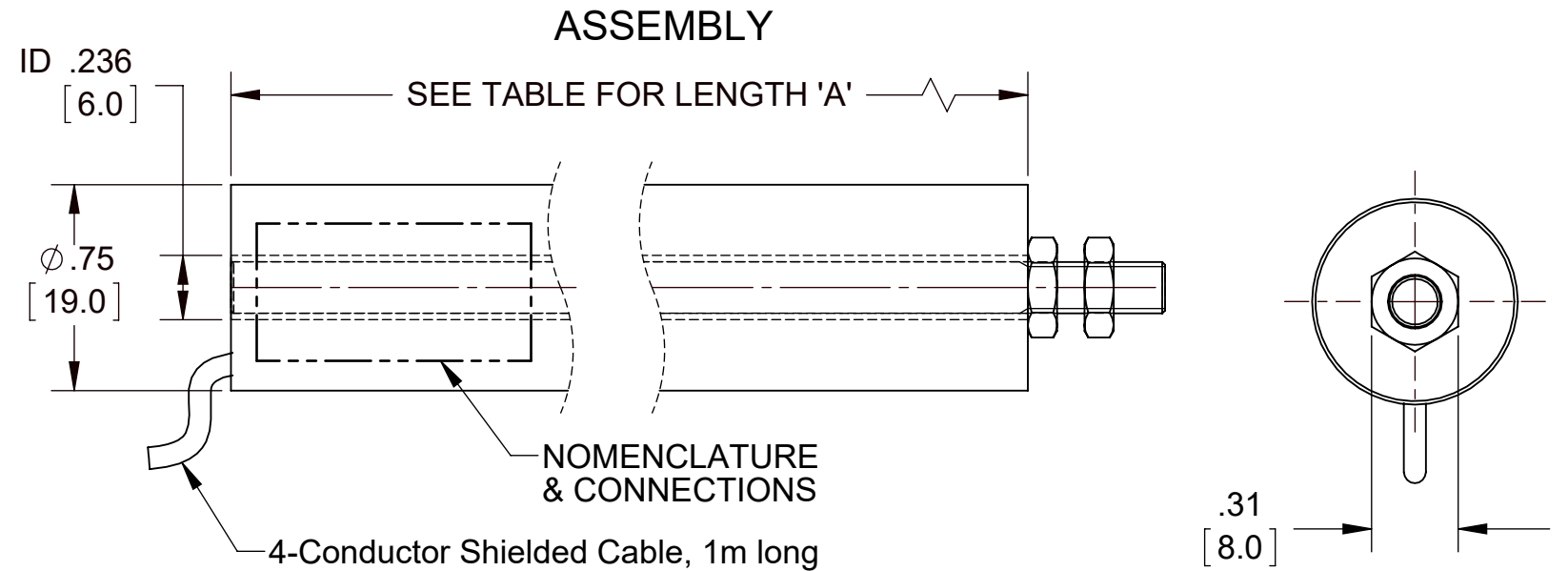
Analog I/Os: (See Note 1)
 0 - 5 V DC output, 8 - 30 V DC input, 35 mA max.
 0.5 - 4.5 V DC output, 8 - 30 V DC input, 35 mA max.
 0 - 10 V DC output, 12 - 30 V DC input, 35 mA max.
 4 - 20 mA 3-wire sourcing DC output, 18 - 30 V DC input, 60 mA max. (75 C max.)
Do not connect to a 2-wire loop-powered system

Measuring Ranges: See range table below
 Zero and Full Scale: SenSet Adjustable
 Linearity Error: ±0.15% of FSO (Full Span Output) typical, ±0.25% max.
 Resolution: 0.025% of FSO
 Update Rate: 300 Hz nominal
 Operating Temperature Range: -20 to 85 C (-40 to 105 C extended temp.)
 Temperature coefficient: ≤±0.015% of FSO/K
 Humidity: 95% RH non-condensing
 Vibration: 5 - 20 Hz, 0.5 inch p-p; 20 - 2000 Hz, 4.2 g p-p
 Shock: 1000 g, 11 msec.

Note 1: Standard output is maximum with core extended

Specifications subject to change without notice

REVISIONS			
REV.	DESCRIPTION	DATE	APPROVED
--	INITIAL RELEASE	07-31-18	EH
A	REVISED AS PER ECN 18-253	08-21-18	EH



LZ-19 Range Table

Nominal Range		Length "A"
Inches	mm	Inches (mm)
0.10	2.5	1.38 (35.0)
0.25	6.4	1.38 (35.0)
0.50	12.7	1.38 (35.0)
0.75	19	1.38 (35.0)
1.00	25	1.38 (35.0)
1.25	32	1.63 (41.3)
2.00	50	2.38 (60.5)
3.00	75	3.38 (85.9)
4.00	100	4.38 (111.1)
6.00	150	6.50 (165.1)
8.00	200	8.50 (215.9)
10.00	250	10.50 (266.7)
12.00	300	12.50 (317.5)
15.00	375	15.75 (400.0)
18.00	450	18.75 (476.2)
24.00	600	25.00 (635.0)
30.00	750	31.00 (787.4)

LZ-19 Connections Table

I/O Function	Color
+ Power Input	Red
Ground	Black
Analog output	Green
SenSet™	White
Shield / drain *	Shield

***Shield unconnected internally**

UNLESS OTHERWISE SPECIFIED: 1. DO NOT SCALE DRAWING 2. DIMENSIONS ARE IN INCHES 3. INTERPRET DIM/TOL PER ANSI Y14.5M-1994 4. DEBURR/BREAK SHARP EDGES 5. DIMS ARE BEFORE FINISH 6. (DATA) FOR REFERENCE ONLY		CONTRACT NO. --	<p>A DIVISION OF H.G. SCHAEVITZ LLC Moorestown, New Jersey USA alliancesensors.com</p>		
TOLERANCES		DRAWN BY: S P			DATE: 07-31-18
DECIMAL: XX ±.010 XXX ±.005	ANGULAR: ±.5°	ENGINEER: Ed Herceg	CHECKED BY: Ed Herceg	<p>LZ-19-XX-A OUTLINE</p>	
THIRD ANGLE PROJECTION		QA: --	APPROVED BY: --		
		MFG: --	FILENAME: 3020-0011-XX	DWG. NO. 3020-0011-XX	REV A
		APPROVED BY: --	SCALE: N/A	RELEASE DATE: --	SHEET 1 OF 1

DWG. NO. 3020-0011-XX
 REV. A
 ED: 09-05-18
 S P