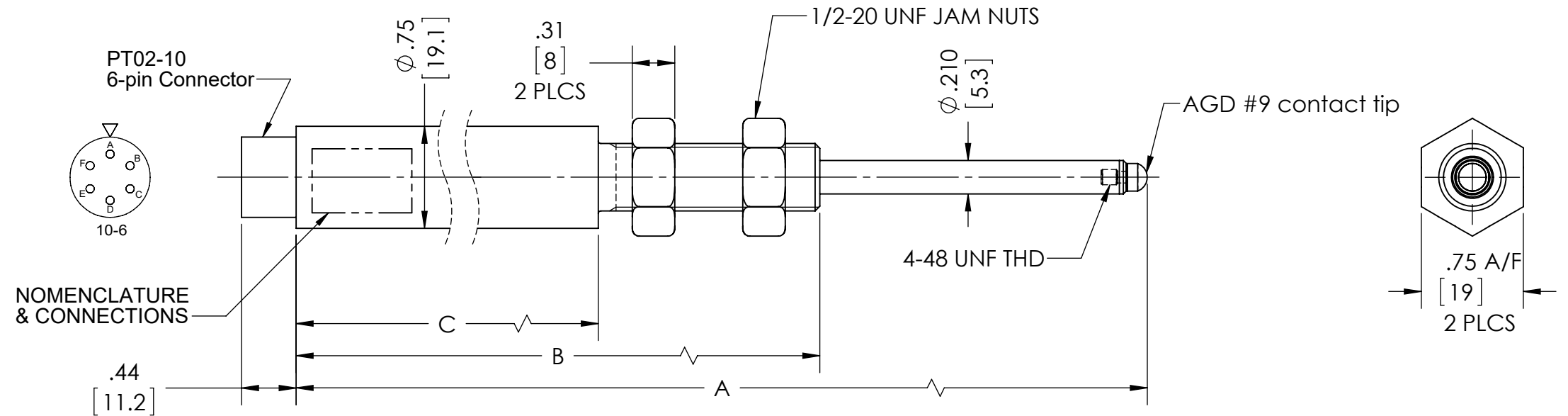


LVDT GENERAL SPECIFICATIONS:

Input Voltage: 3.0 Vrms (nominal)
 Input Frequency: 2.5 to 3.3 kHz
 Measuring Ranges: See table below
 Sensitivity: See table below
 Linearity Error: $\leq \pm 0.25\%$ of FRO (Full Range Output)
 Resolution: 0.001% of FSO (Full Scale Output)
 Repeatability Error: $< 0.01\%$ of FSO
 Hysteresis Error: $< 0.01\%$ of FSO
 Operating Temperature Range: -55 to 125 C
 Temperature Coefficient of Sensitivity: $< -0.02\%$ of FSO/ $^{\circ}$ C
 Humidity: 95% RH non-condensing
 Vibration: 5 - 20 Hz, 0.5 inch p-p; 20 - 2000 Hz, 10g p-p
 Shock: 1000 g, 11 msec.
 Sealing: IEC IP-69K

Specifications are subject to change without notice.

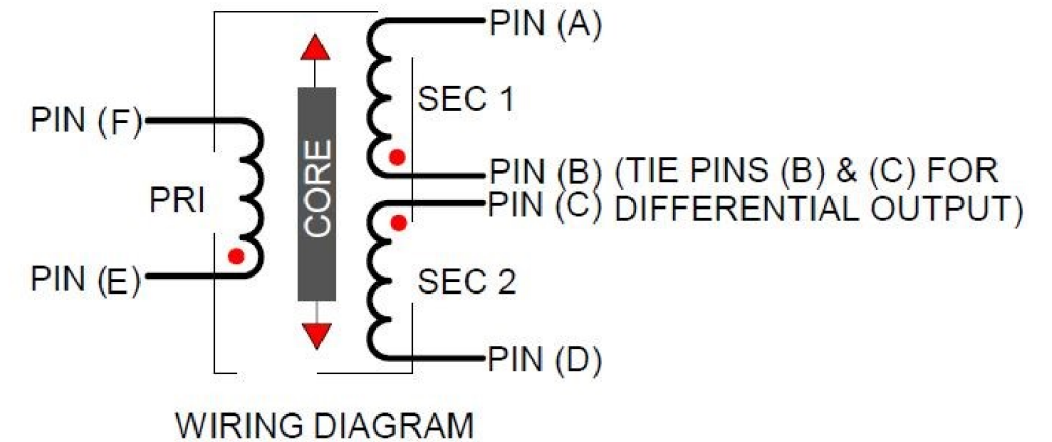
REVISIONS			
REV.	DESCRIPTION	DATE	APPROVED
--	INITIAL RELEASE	12-04-17	EH



PT02-10-6P Connector

Pin	I/O Function
A	Secondary 1
B	Secondary 1 *
C	Secondary 2 *
D	Secondary 2
E	Primary
F	Primary

* Connect pin B to pin C for differential secondary output



Nominal Range	Sensitivity	Primary Z	Length A	Length B	Length C	Pretravel	Overtravel	Weight
inches [mm]	mV/V/.001in [mm]	Ohms	inches [mm]	inches [mm]	inches [mm]	inches [mm]	inches [mm]	oz. [grams]
± 0.050 [1.3]	6.10 [240]	325	4.61 [117]	3.51 [89]	1.97 [50]	0.12 [3.0]	0.12 [3.0]	2.89 [82]
± 0.125 [3.0]	3.90 [153]	735	5.26 [134]	4.15 [105]	2.60 [66]	0.13 [3.3]	0.13 [3.3]	3.39 [96]
± 0.250 [6.3]	2.50 [98]	1400	6.02 [153]	4.91 [125]	3.35 [85]	0.10 [2.5]	0.10 [2.5]	4.00 [113]
± 0.500 [12.5]	0.65 [26]	1200	10.54 [268]	9.05 [230]	5.88 [149]	0.10 [2.5]	0.10 [2.5]	6.00 [170]
± 1.000 [25]	0.61 [24]	1250	12.81 [322]	10.51 [267]	7.34 [186]	0.05 [1.3]	0.05 [1.3]	6.31 [179]
± 2.000 [50]	0.37 [14]	2150	20.91 [531]	16.35 [415]	10.87 [276]	0.02 [0.5]	0.02 [0.5]	10.23 [290]

UNLESS OTHERWISE SPECIFIED:		CONTRACT NO.	
1. DO NOT SCALE DRAWING		--	
2. DIMENSIONS ARE IN INCHES		--	
3. INTERPRET DIM/TOL PER ANSI Y14.5M-1994		--	
4. DEBURR/BREAK SHARP EDGES		--	
5. DIMS ARE BEFORE FINISH		--	
6. (DATA) FOR REFERENCE ONLY		--	
TOLERANCES		DRAWN BY: S P	
DECIMAL: .XX ± 0.10		DATE: 12-04-17	
ANGULAR: .XXX ± 0.05		ENGINEER: Ed Herceg	
THIRD ANGLE PROJECTION		CHECKED BY: Ed Herceg	
MFG: --		QA: --	
APPROVED BY: --		--	

ALLIANCE SENSORS GROUP
 A DIVISION OF H.G. SCHAEVITZ LLC
 Moorestown, New Jersey USA alliancesensors.com

LAS-19-A-XX-02 series LVDT Outline

SIZE: **B** CAGE CODE: N/A DWG. NO.: **2000-0022-XX** REV: --

FILENAME: 2000-0022-XX SCALE: 1:1 RELEASE DATE: -- SHEET 1 OF 1

DWG. NO. 2000-0022-XX REV. -- EDITION 12-15-17 BR: S P