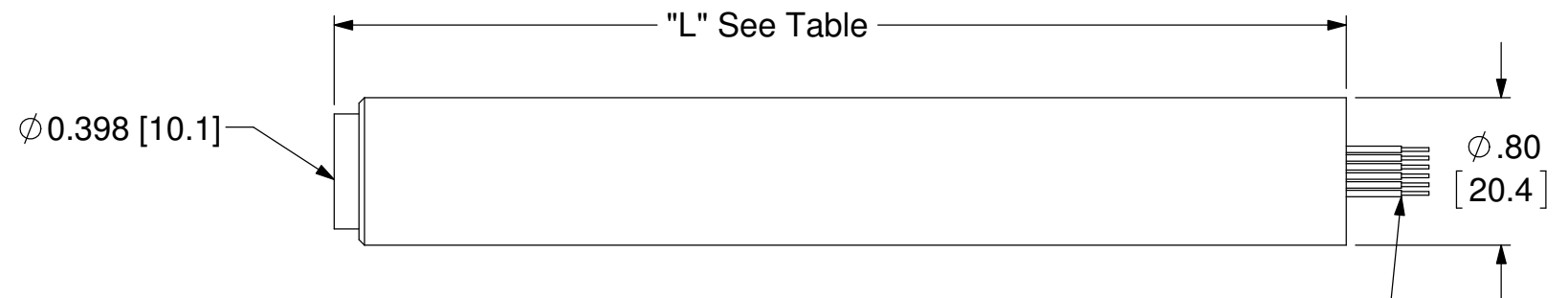
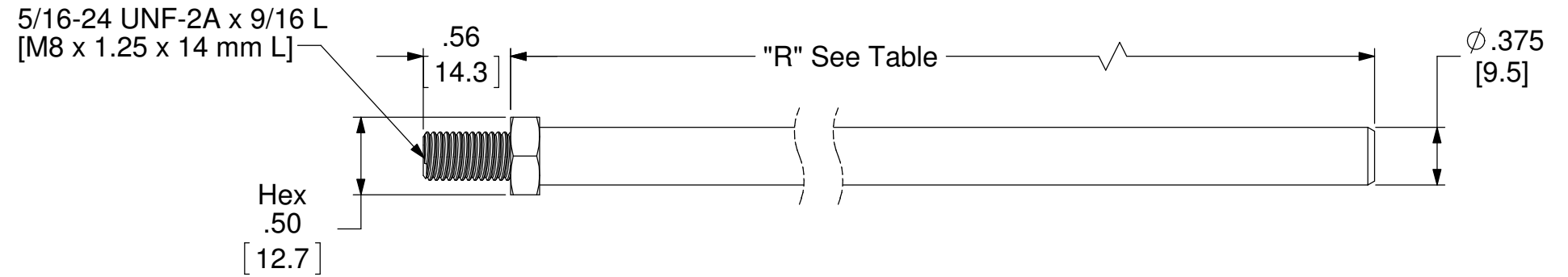
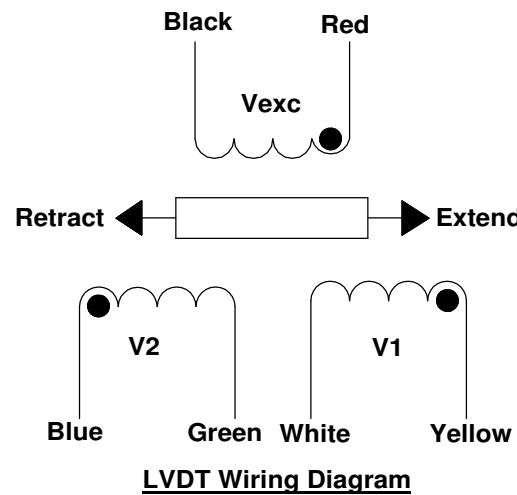


Full Scale Ranges: See Chart Below
 Excitation Frequency: 3 kHz nominal
 Excitation Voltage: 3 V ACrms nominal
 Full Scale Output: 0.83 V ACrms ±10%
 Sensitivity: See Chart Below
 Linearity Error: ≤±0.5% of FRO (BFSL)
 Operating Temperature: -40 to 175 C (-40 to 350°F)
 Temperature Coefficient: ≤±0.025% of FRO/K
 Humidity: 95% RH non-condensing
 Shock: 1000 g, 11 msec.
 Vibration: 5-20 Hz, 0.5 inch p-p; 20-2000 Hz, 4.2 g p-p



Lead wires: 24 AWG,
 4 in. [102mm] long,
 stripped and tinned.

Note: length tolerance: +0.00,-0.08 inches; [+0,-2 mm]



LVDT Model	Range Inches [mm]	Sensitivity mV/V/inch	Sensitivity mV/V/mm	"L" (Body) Inches [mm]	"R" (Core) Inches [mm]
LA-21-03	±1.5 [±38]	200	7.87	5.50 [140]	8.25 [208]
LA-21-06	±3.0 [±76]	100	3.98	9.25 [235]	12.00 [303]
LA-21-09	±4.5 [±114]	67	2.64	12.25 [311]	15.00 [380]
LA-21-12	±6.0 [±152]	50	1.97	16.25 [413]	19.00 [481]
LA-21-15	±7.5 [±190]	40	1.57	20.25 [511]	23.00 [583]

UNLESS OTHERWISE SPECIFIED:		CONTRACT NO.	
1. DO NOT SCALE DRAWING		--	
2. DIMENSIONS ARE IN INCHES			
3. INTERPRET DIM/TOL PER ANSI Y14.5M-1994		DRAWN BY: G E Miller	
4. DEBURR/BREAK SHARP EDGES		DATE: 04-08-15	
5. DIMS ARE BEFORE FINISH		ENGINEER: Ed Herceg	
6. (DATA) FOR REFERENCE ONLY		DATE: 04-08-15	
TOLERANCES		CHECKED BY: Ed Herceg	
DECIMAL: .XX ±.010	ANGULAR: ±.5°	DATE: 04-08-15	
.XXX ±.005		QA: --	
THIRD ANGLE PROJECTION		MFG: --	
APPROVED BY: --		DATE: --	

ALLIANCE SENSORS GROUP
 A DIVISION OF H.G. SCHAEVITZ LLC
 Moorestown, New Jersey USA alliancesensors.com

Outline, LA-21-XX

SIZE: B	CAGE CODE: N/A	DWG. NO.: 2000-0015	REV: --
FILENAME: --		SCALE: N/A	RELEASE DATE: --

SHEET 1 OF 1

DWG. NO. 2000-0015 REV. -- ESD: 04-13-15 BY: GEM