

**ELECTRICAL TERMINATIONS**  
See connection schematic

Cord Grip with cable  
Length: See data sheet

1.0 Max

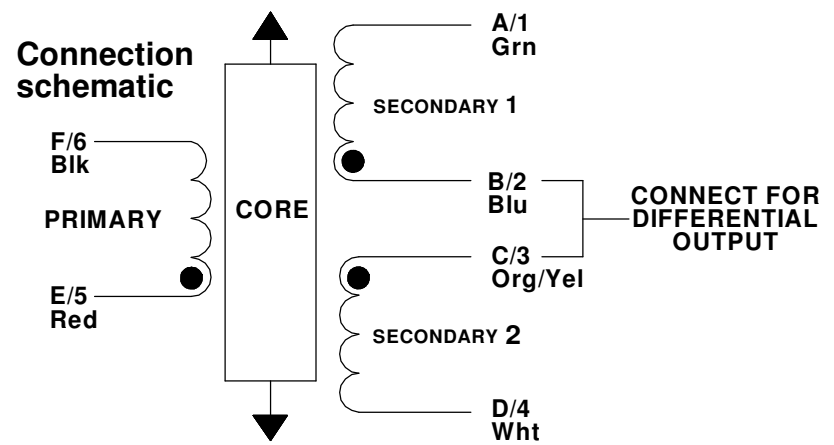
6-Pin Connector  
PT02-10-6P

.49

6-Pin Connector,  
7/8-16 UN Thd.

.63

Other terminations available upon request



LA-25-R-XX Configurations					
LA-25-R-XX	-03	-06	-09	-12	-15
Dim 'L'	8.12" L	11.87" L	14.87" L	18.87" L	22.87" L

UNLESS OTHERWISE SPECIFIED:		CONTRACT NO.	
1. DO NOT SCALE DRAWING		--	
2. DIMENSIONS ARE IN INCHES		--	
3. INTERPRET DIM/TOL PER ANSI Y14.5M-1994		--	
4. DEBURR/BREAK SHARP EDGES		--	
5. DIMS ARE BEFORE FINISH		--	
6. (DATA) FOR REFERENCE ONLY		--	
TOLERANCES		DRAWN BY: G E Miller	
DECIMAL:	ANGULAR:	DATE:	04-15-14
.XX ±.010	±.5°	ENGINEER:	Ed Herceg
.XXX ±.005		CHECKED BY:	Ed Herceg
THIRD ANGLE PROJECTION		QA:	--
		MFG:	--
		APPROVED BY:	--

**ALLIANCE SENSORS GROUP**  
A DIVISION OF H.G. SCHAEVITZ LLC  
Moorestown, New Jersey USA [alliancesensors.com](http://alliancesensors.com)

**LA-25-R LVDT Assy**  
Outline

SIZE: **B** CAGE CODE: N/A DWG. NO.: **2000-0009** REV: --

FILENAME: 2000-0009, LA-25-R LVDT Outline SCALE: 3:4 RELEASE DATE: -- SHEET 1 OF 1

DWG. NO. 2000-2009 REV. -- LAST EDIT 04-15-14 BY: GEM