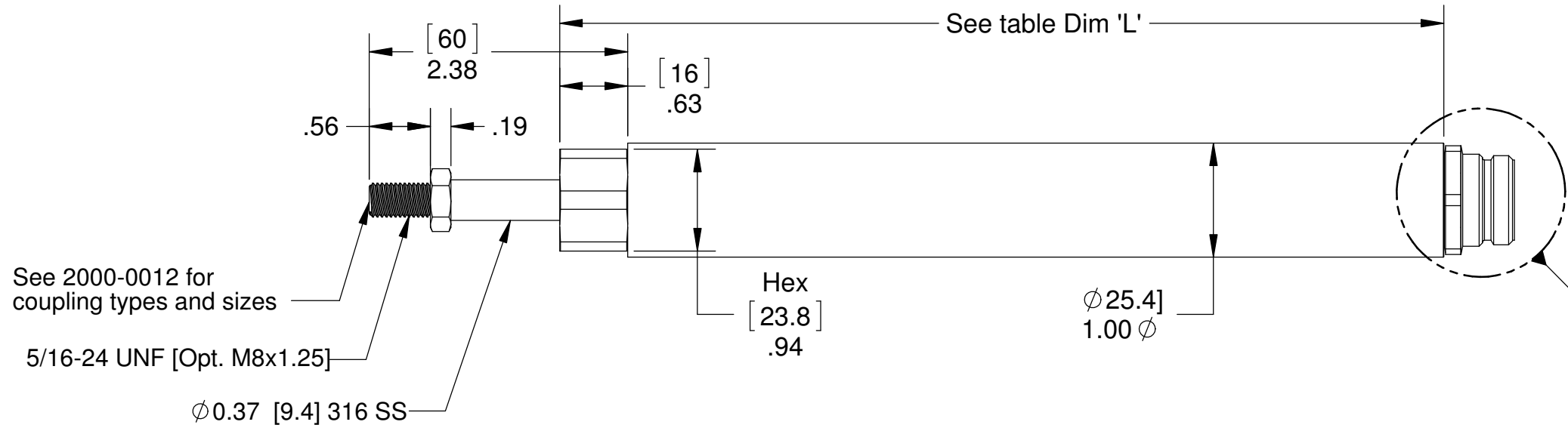


SPECIFICATIONS

Full Ranges: See Chart Below
 Excitation Voltage: 3 V ACrms nominal
 Excitation Frequency: 3 kHz nominal
 Full Scale Output: 0.83 V ACrms ±10%
 Linearity Error: ≤±0.5% of FRO (BFSL)
 Temperature Coefficient: ≤±0.025% of FRO/°C
 Operating Temperature: Cable termination: -40 to 175°C (-40 to 350°F)
 Connector termination: -40 to 125°C (-40 to 250°F)
 Relative Humidity: 95% non-condensing
 Vibration: 5-20 Hz, 0.5 inch p-p; 20-2000 Hz, 4.2 g p-p
 Shock: 1000 g, 11 msec.

Specifications subject to change without notice

REVISIONS			
REV.	DESCRIPTION	DATE	APPROVED
A	Ref: ECN 19-270, updated for clarity.	02-06-19	EH



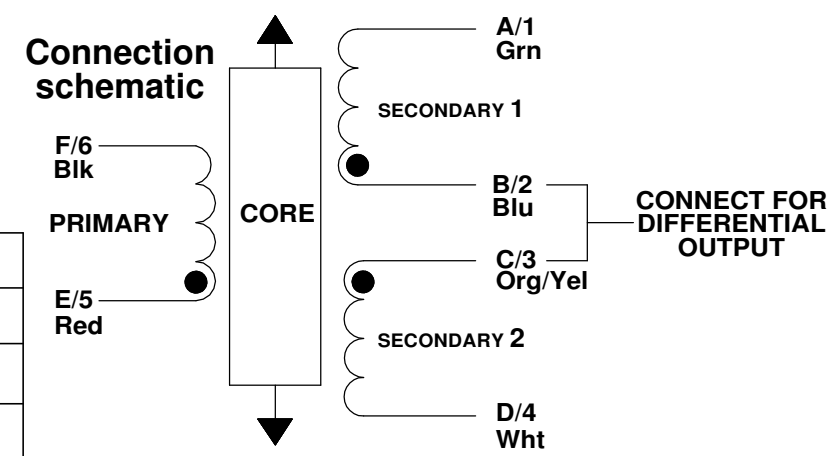
Male

ELECTRICAL TERMINATIONS:
See connection schematic

Cord Grip with cable
Length: See data sheet
1.0 Max

6-Pin Connector,
7/8-16 UN Thd.
.66

Other terminations available upon request



LA-25-A-XX Configurations					
LA-25-A-XX	-03	-06	-09	-12	-15, -16
Dim 'L'	8.12" L	11.87" L	14.87" L	18.87" L	22.87" L
[mm]	206.2	301.5	377.7	479.3	580.9

UNLESS OTHERWISE SPECIFIED:		CONTRACT NO.	
1. DO NOT SCALE DRAWING		--	
2. DIMENSIONS ARE IN INCHES		--	
3. INTERPRET DIM/TOL PER ANSI Y14.5M-1994		--	
4. DEBURR/BREAK SHARP EDGES		--	
5. DIMS ARE BEFORE FINISH		--	
6. (DATA) FOR REFERENCE ONLY		--	
TOLERANCES		DRAWN BY: G E Miller	
DECIMAL:	ANGULAR:	DATE:	02-25-14
.XX ±.010	±.5°	ENGINEER:	Ed Herceg
.XXX ±.005		CHECKED BY:	Ed Herceg
THIRD ANGLE PROJECTION		QA:	--
		MFG:	--
		APPROVED BY:	--

ALLIANCE SENSORS GROUP
 A DIVISION OF H.G. SCHAEVITZ LLC
 Moorestown, New Jersey USA alliancesensors.com

LA-25-A LVDT
 Outline

SIZE: **B** CAGE CODE: N/A DWG. NO.: **2000-0007-XX** REV: **A**

FILENAME: 2000-0007_LA-25 Axial LVDT Outline SCALE: 3:4 RELEASE DATE: -- SHEET 1 OF 1

DWG. NO. 2000-0007-XX REV. A EDITION 09-10-19 BY: GEM