

SPECIFICATIONS:

Analog I/Os: (See Note 1)

0 - 5 V DC output, 8 - 30 V DC input, 35 mA max.

0.5 - 4.5 V DC output, 8 - 30 V DC input, 35 mA max.

0 - 10 V DC output, 12 - 30 V DC input, 35 mA max.

4-20 mA DC, 3-wire sourcing, 18-30 V DC input, 60 mA max. (75 C max).

Do not connect to 2-wire loop powered system.

Measuring Ranges: See range table

Zero and Full Scale: SenSet Adjustable

Linearity Error: ±0.15% of FSO (Full Span Output) typical, ±0.25% max.

Resolution: 0.025% of FSO

Update Rate: 300 Hz nominal

Operating Temperature Range: -20° to 85° C (-40° to 105° C extended temp.)

Temperature coefficient: ≤±0.015% of FSO/K

Humidity: 95% RH non-condensing

Vibration: 5 - 20 Hz, 0.5 inch p-p; 20 - 2000 Hz, 4.2 g p-p

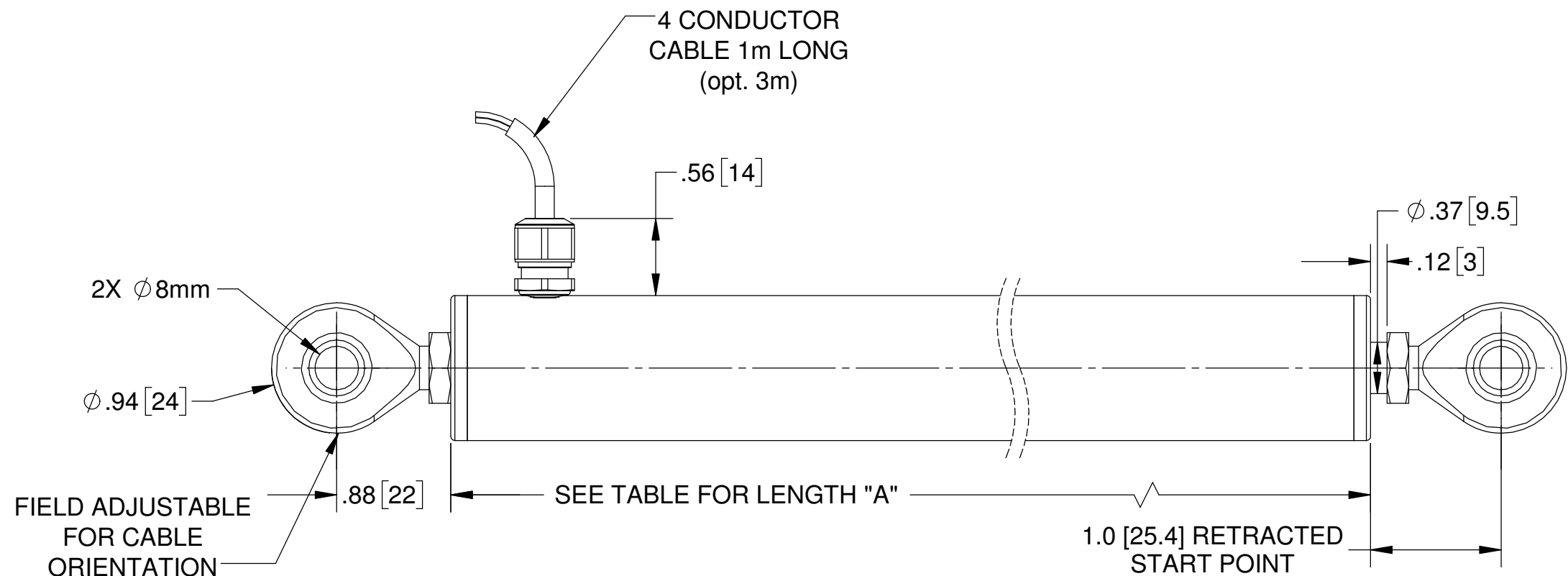
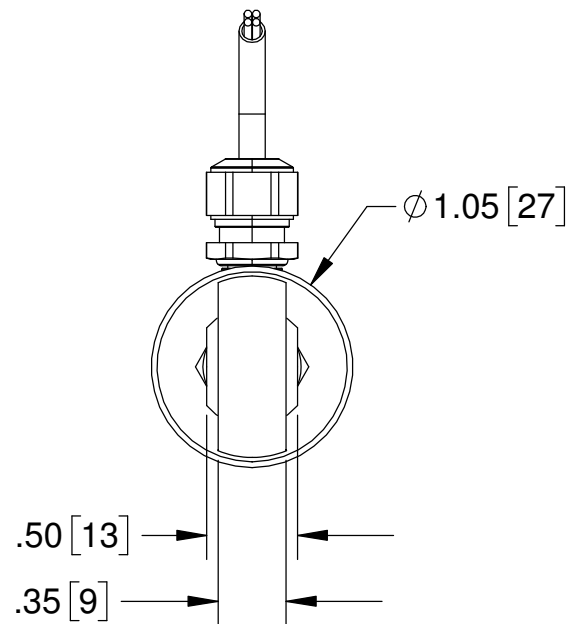
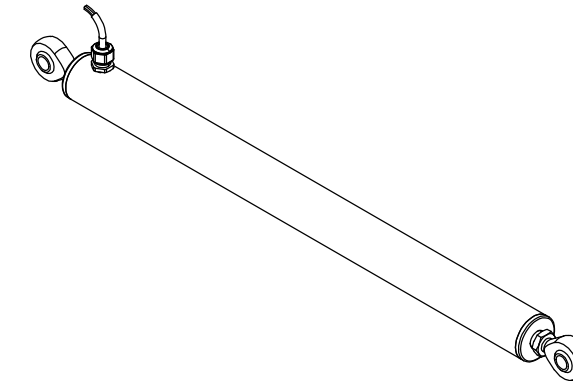
Shock: 1000 g, 11 msec.

Sealing: IEC IP-67

Note 1: Analog output is maximum with rod extended; see technical data sheet to specify reversed output.

Specifications are subject to change without notice.

REVISIONS			
REV.	DESCRIPTION	DATE	APPROVED
A	Edit Specs, add Wire Table	02-02-15	EH
B	Edited Retracted Start Point	10-20-15	EH
C	10.0 Inches Range removed	03-10-16	EH
D	Unit Length Table modified	07-18-16	EH
E	Ref: ECN 17-193	06-08-17	EH



Nominal Range	"A" Body Length
1.0 inches [25 mm]	4.50 inches [114.3 mm]
2.0 inches [50 mm]	5.50 inches [139.7 mm]
3.0 inches [75 mm]	6.50 inches [165.1 mm]
4.0 inches [100 mm]	7.50 inches [190.5 mm]
6.0 inches [150 mm]	9.50 inches [241.3 mm]

I/O Function	Cable Color
+ Power input	Red
Ground	Black
Analog output	Green
SenSet™	White

UNLESS OTHERWISE SPECIFIED:		CONTRACT NO.	
1. DO NOT SCALE DRAWING		--	
2. DIMENSIONS ARE IN INCHES		--	
3. INTERPRET DIM/TOL PER		--	
ANSI Y14.5M-1994		--	
4. DEBURR/BREAK SHARP EDGES		DRAWN BY: G E Miller	
5. DIMS ARE BEFORE FINISH		DATE: 06-08-17	
6. (DATA) FOR REFERENCE ONLY		ENGINEER: Ed Herceg	
TOLERANCES		CHECKED BY: Ed Herceg	
DECIMAL:	ANGULAR:	DATE: 06-08-17	
XX ±.010	±.5°	QA: --	
.XXX ±.005		MFG: --	
THIRD ANGLE PROJECTION		APPROVED BY: --	

ALLIANCE SENSORS GROUP
 A DIVISION OF H.G. SCHAEVITZ LLC
 Moorestown, New Jersey USA alliancesensors.com

LRX-27-R SERIES LVIT OUTLINE

SIZE: **B** CAGE CODE: **N/A** DWG. NO.: **3000-0013-XX** REV: **E**

FILENAME: SCALE: **N/A** RELEASE DATE: **--** SHEET 1 OF 1

DWG. NO. 3000-0013-XX REV. E DATE: 06-08-17 BY: GEM