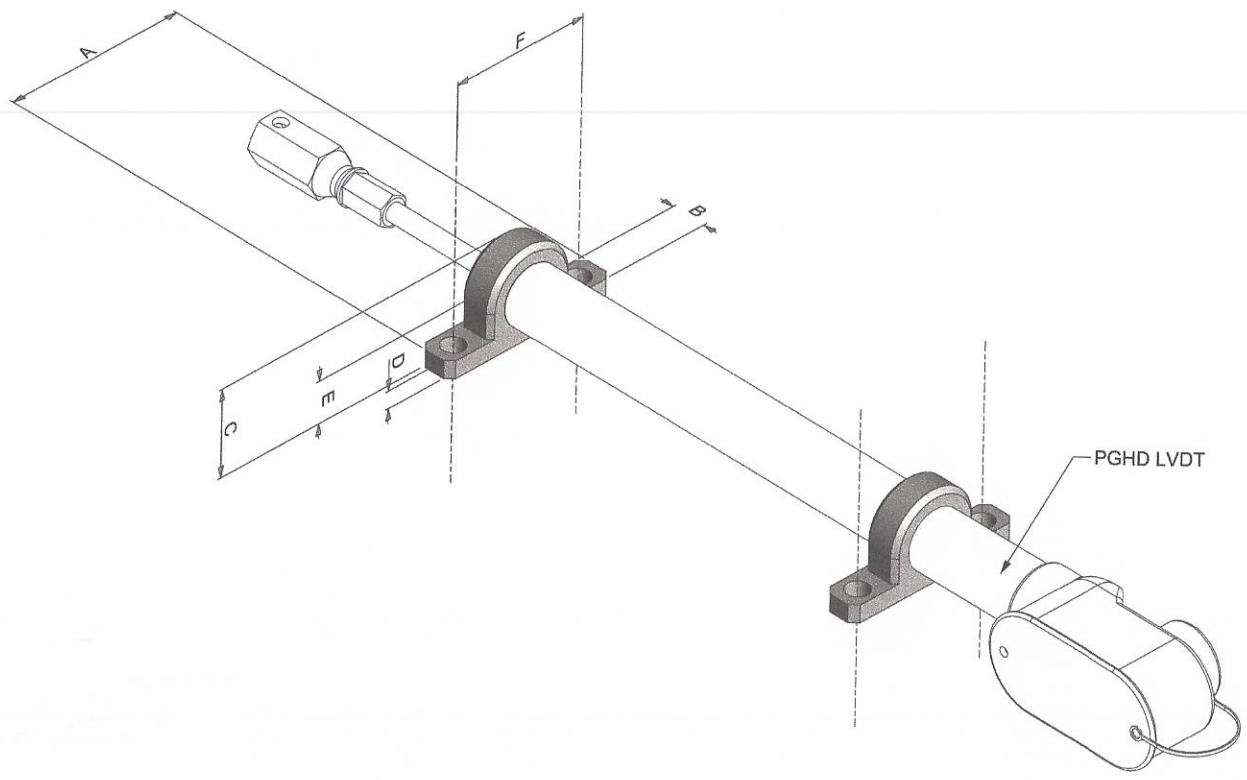


COMPUTER GENERATED DOCUMENTATION MAKE NO REVISIONS 1		
REV	DESCRIPTION	DATE
A	PRODUCTION RELEASE	11/16/2011



NOTES:  
 NOTE 1: METRIC DIMENSIONS IN MILLIMETERS ARE IN PARENTHESES  
 NOTE 2: N/A MEANS NOT APPLICABLE OR APPROPRIATE TO MOUNTING  
 NOTE 3: HEIGHT DOES NOT INCLUDE MOUNTING SCREW HEAD HEIGHT  
 NOTE 4: METRIC SCREW SIZE IS ALTERNATIVE, NOT EXACT EQUIVALENT

DIMENSION IDENTIFICATION		A	B	C	D	E	F	G	H
DESCRIPTION	LVDT TYPE	LENGTH	THICK	HEIGHT	CENTER HEIGHT	CENTER CENTER	MOUNTING CENTER	SCREW SIZE	SCREW LENGTH
GE REPLACEMENT SINGLE	PGHD	3.25 (82.5)	0.63 (16)	1.56 (39.7)	0.75 (19)	N/A	2.50 (63.5)	3/8 (M10)	N/A

	<b>PROPRIETARY NOTICE</b> INFORMATION CONTAINED IN THIS DOCUMENT IS THE PROPERTY OF EVERIGHT SENSORS. DO NOT DISTRIBUTE OR COPY WITHOUT WRITTEN PERMISSION.		TITLE: <b>GENERAL ASSEMBLY DRAWING</b> <b>GE REPLACEMENT SINGLE</b>	
	UNLESS OTHERWISE SPECIFIED DIMENSIONS ARE IN INCHES. TOLERANCES ARE: DECIMAL: X.XX = ±0.01, X.XXX = ±0.005 ANGLE: ±0° 30' DUAL DIMENSIONS: 1.00in [25.4mm]	APPROVALS: _____ DATE: 11/16/11 DRAWN: JSB	DWG NO. <b>GER-HD</b> SIZE: C REVISION: A	
NEXT ASSY: _____ USED ON: _____	CHECKED: _____ APPROVED: _____	DO NOT SCALE DRAWING Scale = 2:1 Sheet 1 of 1		