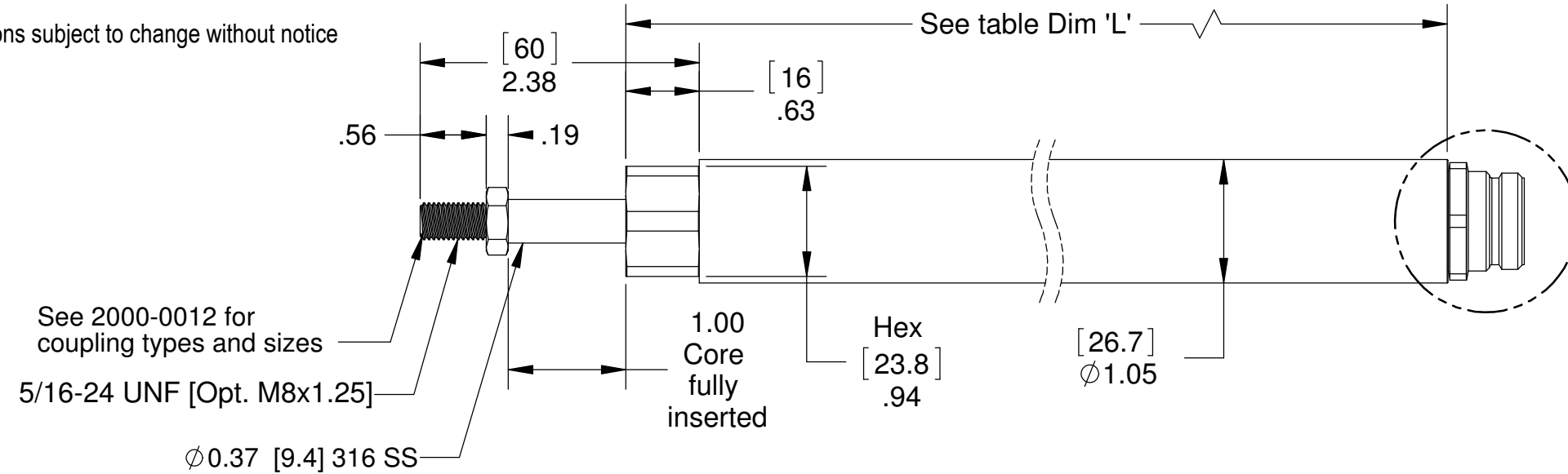


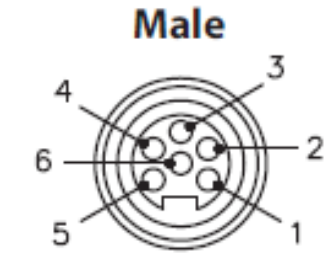
SPECIFICATIONS

Full Ranges: See Chart Below
 Excitation Voltage: 3 V ACrms nominal
 Excitation Frequency: 3 kHz nominal
 Full Scale Output: 0.83 V ACrms ±10%
 Linearity Error: ≤±0.5% of FRO (BFSL)
 Temperature Coefficient: ≤±0.025% of FRO/°C
 Operating Temperature: Cable termination: -40 to 175°C (-40 to 350°F)
 Connector termination: -40 to 125°C (-40 to 250°F)
 Relative Humidity: 95% non-condensing
 Vibration: 5-20 Hz, 0.5 inch p-p; 20-2000 Hz, 4.2 g p-p
 Shock: 1000 g, 11 msec.

Specifications subject to change without notice



REVISIONS			
REV.	DESCRIPTION	DATE	APPROVED
A	Ref: ECN 19-270, updated for clarity.	02-06-19	EH
B	Ref: ECN 23-370	09-18-23	JN

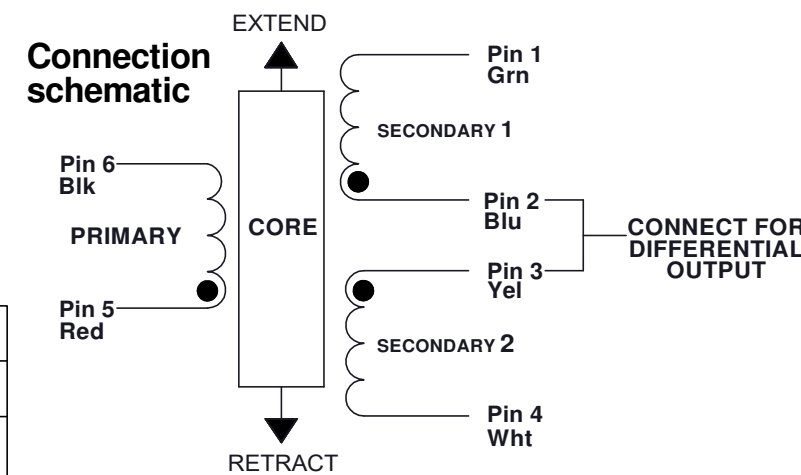


ELECTRICAL TERMINATIONS:
See connection schematic

Cord Grip with cable
Length: 3 m (standard)
1 or 5 m optional

6-Pin Connector,
7/8-16 UN Thd.

Other terminations available upon request



Note: Cable shields not connected to case.

LA-27-A-XX Configurations

LA-27-A-XX	-03	-06	-09	-12	-15, -16
Dim 'L'	8.12" L	11.87" L	14.87" L	18.87" L	22.87" L
[mm]	206.2	301.5	377.7	479.3	580.9

UNLESS OTHERWISE SPECIFIED:

- DO NOT SCALE DRAWING
- DIMENSIONS ARE IN INCHES
- INTERPRET DIM/TOL PER ANSI Y14.5M-1994
- DEBURR/BREAK SHARP EDGES
- DIMS ARE BEFORE FINISH
- (DATA) FOR REFERENCE ONLY

CONTRACT NO.	--
DRAWN BY:	G E Miller
DATE:	02-25-14
ENGINEER:	Ed Herceg
CHECKED BY:	Ed Herceg
DATE:	02-25-14
QA:	--
MFG:	--
APPROVED BY:	--

TOLERANCES

DECIMAL:	ANGULAR:
.XX ±.010	±.5°
.XXX ±.005	

THIRD ANGLE PROJECTION

ALLIANCE SENSORS GROUP
 A DIVISION OF H.G. SCHAEVITZ LLC
 Moorestown, New Jersey USA alliancesensors.com

LA-27-A LVDT
Outline

SIZE: B	CAGE CODE: N/A	DWG. NO.: 2000-0006-XX	REV: B
FILENAME: 2000-0006_LA-27 Axial LVDT Outline	SCALE: 3:4	RELEASE DATE: --	SHEET 1 OF 1

DWG. NO. 2000-2006-XX REV. B EDITION 09-18-23 BY: JN