

SPECIFICATIONS:

Analog I/Os: (See Note 1)

- 0 - 5 V DC output, 8 - 30 V DC input, 35 mA max.
- 0.5 - 4.5 V DC output, 8 - 30 V DC input, 35 mA max.
- 0 - 10 V DC output, 12 - 30 V DC input, 35 mA max.
- 4 - 20 mA DC output, 18 - 30 V DC input, 60 mA max. (75 C max.)

Measuring Ranges: See range table

Zero and Full Scale: SenSet Adjustable

Linearity Error: ±0.15% of FSO (Full Span Output) typical, ±0.25% max.

Resolution: 0.025% of FSO

Update Rate: 300 Hz nominal

Operating Temperature Range: -20 to 85 C (-40 to 105 C extended temp.)

Temperature coefficient: ≤±0.015% of FSO/K

Humidity: 95% RH non-condensing

Vibration: 5-20 Hz, 0.5 inch p-p; 20-2000 Hz, 4.2 g p-p

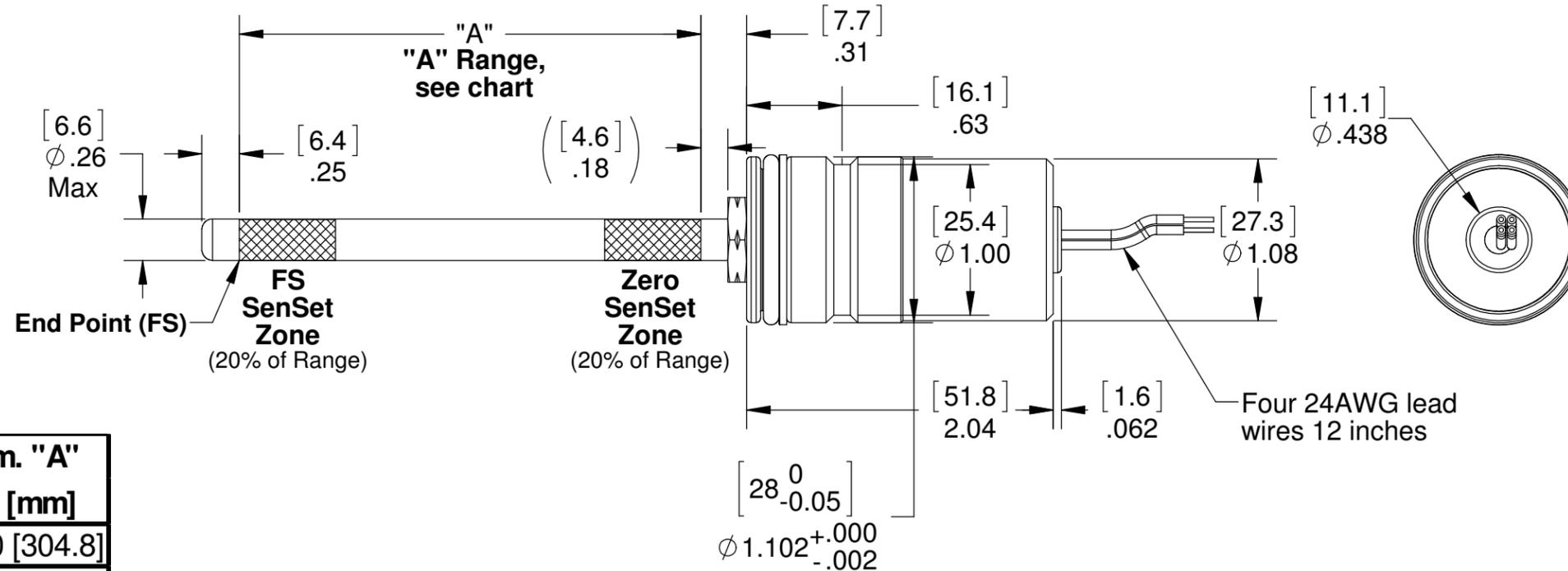
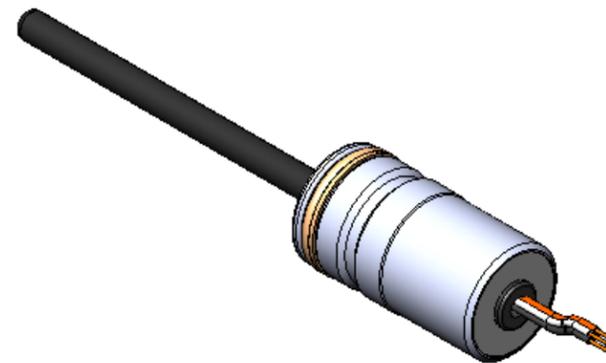
Shock: 1000 g, 11 msec.

Pressure Media: Standard mineral oil and HWB hydraulic fluids

Pressure Rating: 5000 psig (350 bar) operating max., 7500 psig (520 bar) proof

Note 1. Analog output is maximum at probe tip end; see technical data sheet to specify reversed output.

Specifications are subject to change without notice.



Nominal Range	Dim. "A" In. [mm]	Nominal Range	Dim. "A" In. [mm]
25 mm	1.0 [25.4]	300 mm	12.0 [304.8]
50 mm	2.0 [50.8]	350 mm	14.0 [355.6]
75 mm	3.0 [76.2]	400 mm	16.0 [406.4]
100 mm	4.0 [101.6]	450 mm	18.0 [457.2]
125 mm	5.0 [127.0]	500 mm	20.0 [508.0]
150 mm	6.0 [152.4]	600 mm	24.0 [609.6]
175 mm	7.0 [177.8]	700 mm	28.0 [711.2]
200 mm	8.0 [203.2]	750 mm	30.0 [762.0]
225 mm	9.0 [228.6]	800 mm	32.0 [812.8]
250 mm	10.0 [254.0]	900 mm	36.0 [914.4]

Ordering Guide		MHEX-7 Series Wiring Table	
Model	Output	I/O Function	Wire Color
MHEE	Voltage	Power input	Red
MHEI	Current	Ground	Black
		Analog output	Green
		SenSet™	White

UNLESS OTHERWISE SPECIFIED:		CONTRACT NO.	
1. DO NOT SCALE DRAWING		--	
2. DIMENSIONS ARE IN INCHES		--	
3. INTERPRET DIM/TOL PER ANSI Y14.5M-1994		DRAWN BY: G E Miller	
4. DEBURR/BREAK SHARP EDGES		DATE: 09-26-17	
5. DIMS ARE BEFORE FINISH		ENGINEER: Ed Herceg	
6. (DATA) FOR REFERENCE ONLY		DATE: 09-26-17	
TOLERANCES		CHECKED BY: Ed Herceg	
DECIMAL:	ANGULAR:	DATE: 09-26-17	
.XX ±.010	±.5°	QA: --	
.XXX ±.005		MFG: --	
THIRD ANGLE PROJECTION		APPROVED BY: --	

ALLIANCE SENSORS GROUP
 A DIVISION OF H.G. SCHAEVITZ LLC
 Moorestown, New Jersey USA alliancesensors.com

MHEX-7 LVIT Series Ass'y
 Outline

SIZE: **B** CAGE CODE: N/A DWG. NO.: **3000-0002-XX** REV: --

FILENAME: SCALE: 1:1 RELEASE DATE: -- SHEET 1 OF 1

DWG. NO. 3000-0002-XX REV. -- EDITION 04-27-18 BY: GEM