

SPECIFICATIONS:

Analog I/Os: (See Note 1)

0 - 5 VDC output, 8 - 30 VDC input, 35mA max.

0.5 - 4.5 VDC output, 8 - 30 VDC input, 35mA max.

0 - 10 VDC output, 12 - 30 VDC input, 35mA max.

4 - 20 mA DC output, 18 - 30 VDC input, 60 mA max. (75 C max.)

Measuring Ranges: See range table

Zero and Full Scale: SenSet Adjustable

Linearity Error: ±0.15% of FSO (Full Span Output) typical, ±0.25% max.

Resolution: 0.025% of FSO

Update Rate: 300 Hz nominal

Operating Temperature Range: -20 to 85 C (-40 to 105 C extended temp.)

Temperature coefficient: <±0.015% of FSO/K

Humidity: 95% RH non-condensing

Shock: 1000 g, 11 msec.

Sealing: IEC IP-67

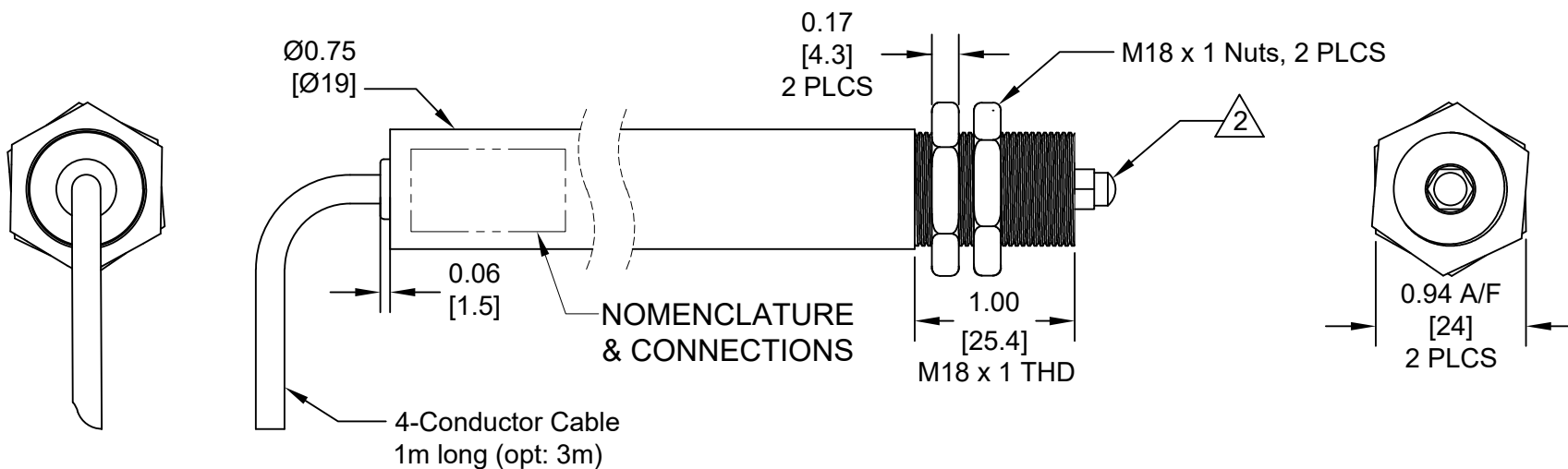
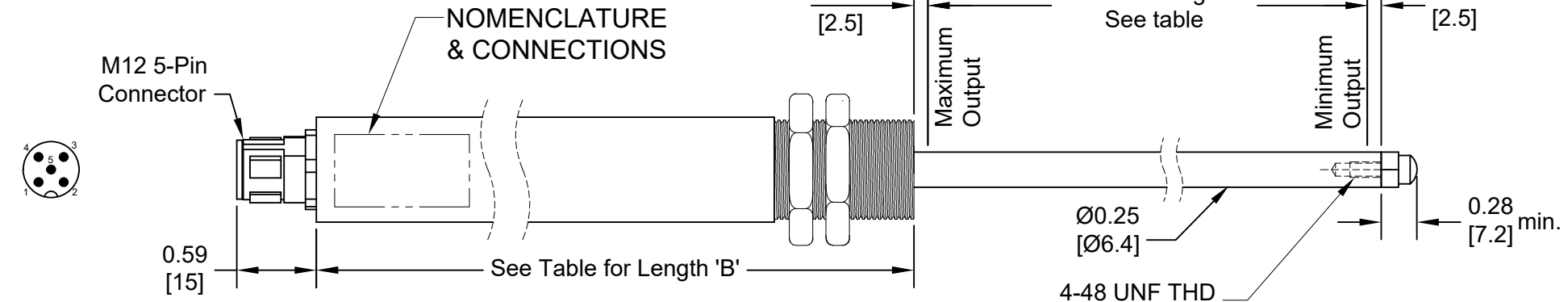
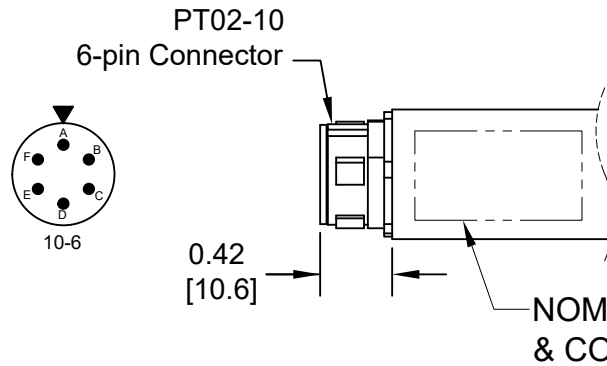
Notes:

1. Analog output is maximum with probe retracted; See technical data sheet to specify reversed output.

2. Sensor supplied with AGD #9 contact tip. (4-48 UNF THD)

3. Specifications are subject to change without notice. Please contact Alliance Sensors for the most up to date information.

REVISIONS			
REV.	DESCRIPTION	DATE	APPROVED
--	Initial Release	05-07-15	EH
A	Added PT02-10 6-pin connector, updated connection table, added view of M12 5-pin connector, modified Range Table & displayed 4-48 UNF THD	07-29-15	EH
B	Refer: ECN 16-154	02-24-16	EH
C	Range table modified	06-08-16	EH
D	M18 x 1 Thread length reduced to 1.00	07-26-16	EH
E	Cable note changes, Nomenclature block added	08-29-17	EH
F	ECN 17-216: added 0.13 and 0.25 ranges	10-20-17	EH



'A' Nominal Range	'B' Body Length	Spring Rate	Max. Force
inches [mm]	inches [mm]	Lbf/in [kgf/cm]	Lbf [kgf]
0.13 [3.3]	3.25 [82.6]	0.75 [0.134]	0.7 [0.32]
0.25 [6.4]	3.25 [82.6]	0.75 [0.134]	0.7 [0.32]
0.5 [13]	3.50 [88.9]	0.75 [0.134]	0.9 [0.41]
1.0 [25]	4.00 [101.6]	0.75 [0.134]	0.9 [0.41]
2.0 [50]	5.08 [129.0]	0.43 [0.077]	1.0 [0.45]
3.0 [75]	6.16 [156.5]	0.30 [0.054]	1.0 [0.45]
4.0 [100]	7.25 [184.1]	0.23 [0.041]	1.0 [0.45]

Electrical Connections Table			
I/O Function	M12 Pin	PT02-10 Pin	Cable Color
+ Power Input	1	E	Red
Common Ground	2	D	Black
Voltage Output *	3	A	Green
Current Output *	4	A	Green
SenSet™	5	B	White
EMI Shield / Drain	--	--	Tinned Copper

* Choose either voltage or current output, but not both

UNLESS OTHERWISE SPECIFIED:		CONTRACT NO.	
1. DO NOT SCALE DRAWING		--	
2. DIMENSIONS ARE IN INCHES		DRAWN BY: D McCauley	
3. INTERPRET DIM/TOL PER ANSI Y14.5M-1994		DATE: 05-07-15	
4. DEBURR/BREAK SHARP EDGES		ENGINEER: Ed Hecceg	
5. DIMS ARE BEFORE FINISH		CHECKED BY: --	
6. (DATA) FOR REFERENCE ONLY		QA: --	
TOLERANCES		MFG: --	
DECIMAL: X ±.020	ANGULAR: ±.5°	APPROVED BY: --	
XX ±.010			
XXX ±.005			
THIRD ANGLE PROJECTION		FILENAME: 3900-0021-XX-1Y_LRS-18 Series LVIT, M18 x 1 thread, Outline	

ALLIANCE SENSORS GROUP
 A DIVISION OF H. G. SCHAEVITZ LLC
 Moorestown, New Jersey USA alliancesensors.com

LRS-18 Series LVIT, M18 x 1 thread
Outline Drawing

SIZE: B	CAGE CODE: 7LE43	DWG. NO.: 3000-0021-XX-1Y	REV: F
RELEASE DATE: 05-07-15	SHEET 1 OF 1		

DWG. NO: 3000-0021-XX-1Y REV. F DATE: 12-14-18 BY: S.P.