

**SPECIFICATIONS:**

Analog I/Os: (See Note 1)  
 0 - 5 V DC output, 8 - 30 V DC input, 35 mA max.  
 0.5 - 4.5 V DC output, 8 - 30 V DC input, 35 mA max.  
 0 - 10 V DC output, 12 - 30 V DC input, 35 mA max.  
 4 - 20 mA DC output, 18 - 30 V DC input, 60 mA max. (75 C max.)  
 Measuring Ranges: See range table  
 Zero and Full Scale: SenSet Adjustable  
 Linearity Error: ±0.15% of FSO (Full Span Output) typical, ±0.25% max.  
 Resolution: 0.025% of FSO  
 Update Rate: 300 Hz nominal  
 Operating Temperature Range: -20 to 85 C (-40 to 105 C extended temp.)  
 Temperature coefficient: ≤±0.015% of FSO/K  
 Humidity: 95% RH non-condensing  
 Vibration: 5-20 Hz, 0.5 inch p-p; 20-2000 Hz, 4.2 g p-p  
 Shock: 1000 g, 11 msec.  
 Pressure Media: Standard mineral oil and HWB hydraulic fluids  
 Pressure Rating: 5000 psig (350 bar) max. operating, 7500 psig (520 bar) proof

Note 1. Analog output is maximum at probe tip end; see technical data sheet to specify reversed output.

Specifications are subject to change without notice.

REVISIONS			
REV.	DESCRIPTION	DATE	APPROVED
A	Edit notes. Add new tables. Change Probe dimensioning scheme.	07-22-14	EH
B	Add metric dims, add Output inset	01-14-15	EH
C	Update Specifications to V2	02-02-15	EH
D	Edit dim $\phi$ .26 (was .27), update termination chart. Reference ECN 16-177	09-19-16	EH

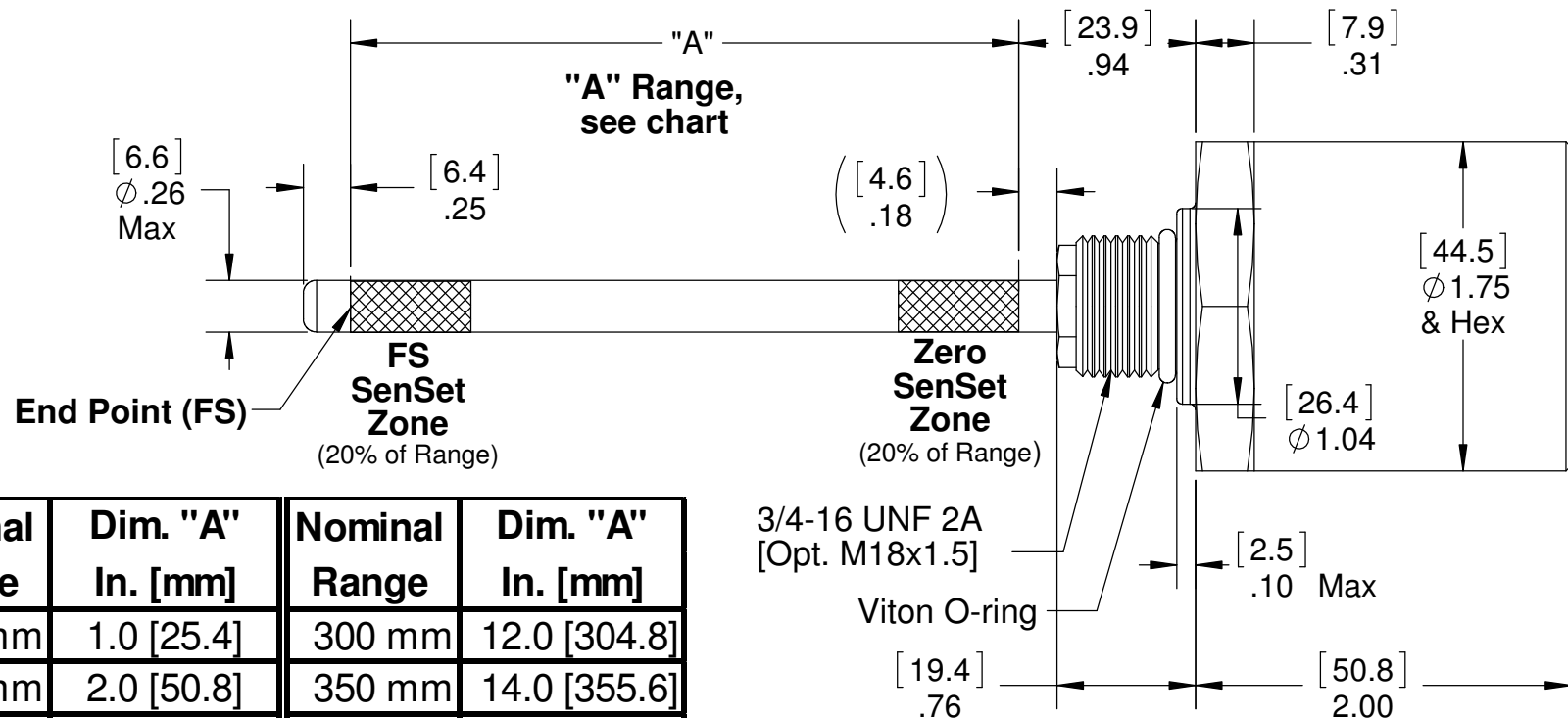
### TERMINATION: See connection schematic

Connector 5-Pin Mini 7/8-16 UN

5-Pin M12 Connector

Cable, 4-conductor, 1 m length (Opt. 3 m)

Other terminations available upon request



Nominal Range	Dim. "A" In. [mm]	Nominal Range	Dim. "A" In. [mm]
25 mm	1.0 [25.4]	300 mm	12.0 [304.8]
50 mm	2.0 [50.8]	350 mm	14.0 [355.6]
75 mm	3.0 [76.2]	400 mm	16.0 [406.4]
100 mm	4.0 [101.6]	450 mm	18.0 [457.2]
125 mm	5.0 [127.0]	500 mm	20.0 [508.0]
150 mm	6.0 [152.4]	600 mm	24.0 [609.6]
175 mm	7.0 [177.8]	700 mm	28.0 [711.2]
200 mm	8.0 [203.2]	750 mm	30.0 [762.0]
225 mm	9.0 [228.6]	800 mm	32.0 [812.8]
250 mm	10.0 [254.0]	900 mm	36.0 [914.4]

Ordering Guide		MRX-7-XX	Conn	Cable
Model	Output	I/O Function	Pin	Color
MRE	Voltage	+ Power Input	1	Red
MRI	Current	Ground	2	Black
		Voltage output	3	Green
		Current output	4	Green
		SenSet™	5	White

UNLESS OTHERWISE SPECIFIED:		CONTRACT NO.	
1. DO NOT SCALE DRAWING		--	
2. DIMENSIONS ARE IN INCHES			
3. INTERPRET DIM/TOL PER ANSI Y14.5M-1994		DRAWN BY: G E Miller	
4. DEBURR/BREAK SHARP EDGES		DATE: 03-24-13	
5. DIMS ARE BEFORE FINISH		ENGINEER: Ed Herceg	
6. (DATA) FOR REFERENCE ONLY		DATE: 02-30-13	
TOLERANCES		CHECKED BY: Ed Herceg	
DECIMAL: .XX ±.010	ANGULAR: ±.5°	QA: --	
.XXX ±.005		MFG: --	
THIRD ANGLE PROJECTION		APPROVED BY: --	

**ALLIANCE SENSORS GROUP**  
 A DIVISION OF H.G. SCHAEVITZ LLC  
 Moorestown, New Jersey USA [alliancesensors.com](http://alliancesensors.com)

### MRX-7-XX Series Outline

Outline

SIZE: **B** CAGE CODE: N/A DWG. NO.: **3000-0004-XX** REV: **D**

FILENAME: SCALE: 1:1 RELEASE DATE: SHEET 1 OF 1

DWG. NO. 3000-0004-XX REV. D EDITION 04-16-18 BY: GEM