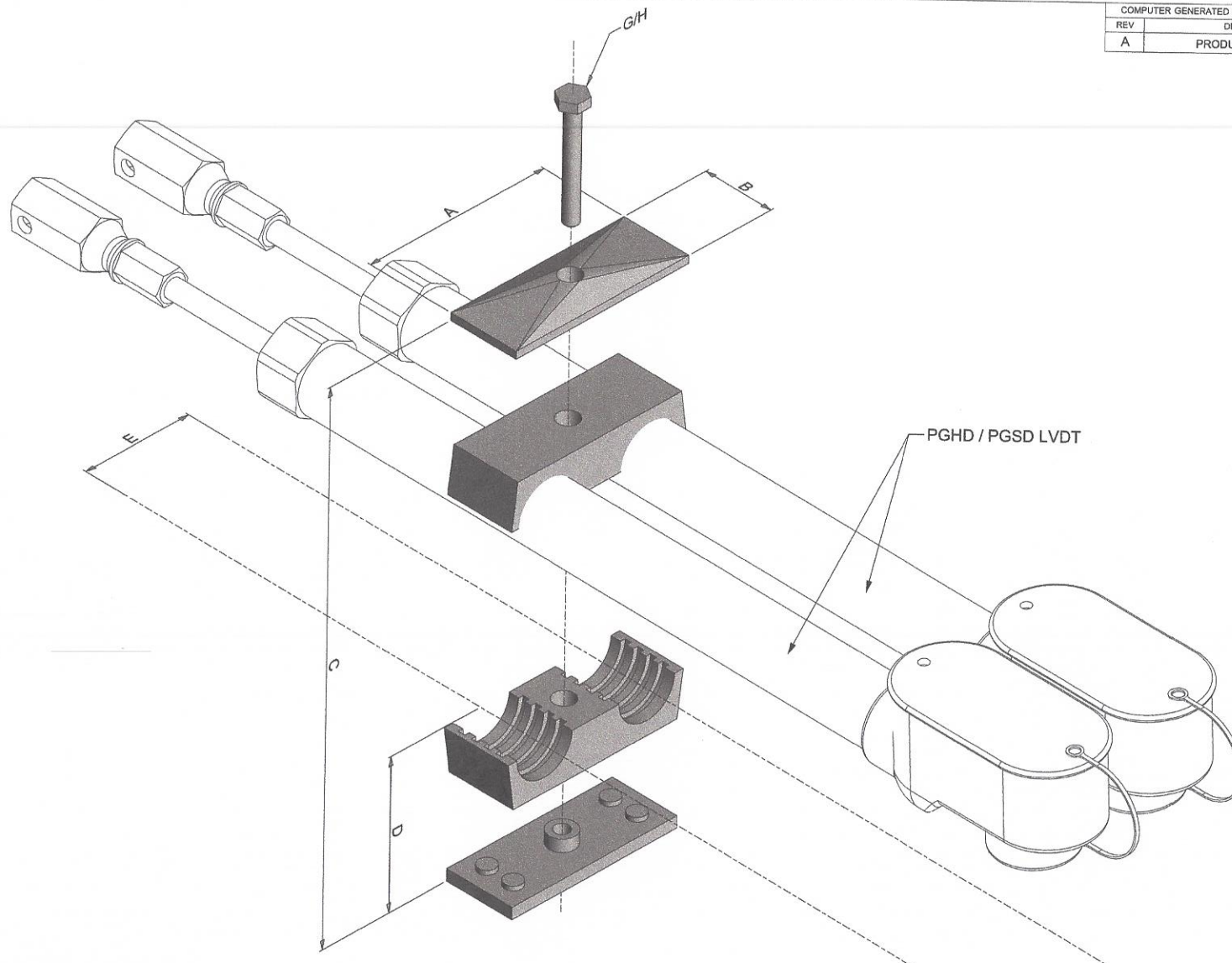


COMPUTER GENERATED DOCUMENTATION MAKE NO REVISIONS		
REV	DESCRIPTION	DATE
A	PRODUCTION RELEASE	11/16/2011



- NOTES:
 NOTE 1: METRIC DIMENSIONS IN MILLIMETERS ARE IN PARENTHESES
 NOTE 2: N/A MEANS NOT APPLICABLE OR APPROPRIATE TO MOUNTING
 NOTE 3: HEIGHT DOES NOT INCLUDE MOUNTING SCREW HEAD HEIGHT
 NOTE 4: METRIC SCREW SIZE IS ALTERNATIVE, NOT EXACT EQUIVALENT

DIMENSION IDENTIFICATION		A	B	C	D	E	F	G	H
DESCRIPTION	LVDT TYPE	LENGTH	THICK	HEIGHT	CENTER HEIGHT	CENTER CENTER	MOUNTING CENTER	SCREW SIZE	SCREW LENGTH
STAUFF DUAL SIDE BY SIDE	PGHD	3.14 (80)	1.18 (30)	2.04 (52)	0.985 (25)	1.77 (45)	N/A	5/16-18 (M8)	1.75 (45)
	PGSD	4.17 (106)	1.18 (30)	2.55 (65)	1.23 (31.5)	2.20 (56)	N/A	5/16-18 (M8)	2.00 (50)

 UNLESS OTHERWISE SPECIFIED DIMENSIONS ARE IN INCHES TOLERANCES ARE: DECIMAL ANGLE X.XX = ±0.01 ±0° 30' X.XXX = ±0.005 DUAL DIMENSIONS 1.00in [25.4mm]	PROPRIETARY NOTICE INFORMATION CONTAINED IN THIS DOCUMENT IS THE PROPERTY OF EVERIGHT SENSORS. DO NOT DISTRIBUTE OR COPY WITHOUT WRITTEN PERMISSION.		TITLE: GENERAL ASSEMBLY DRAWING STAUFF DUAL SIDE BY SIDE	
	APPROVALS	DATE	DWG NO: DSS SERIES KIT SIZE: C REVISION: A	
	DRAWN: JSB	11/16/11	Scale = 1:1 Sheet 1 of 1	
	CHECKED:	APPROVED:	DO NOT SCALE DRAWING	