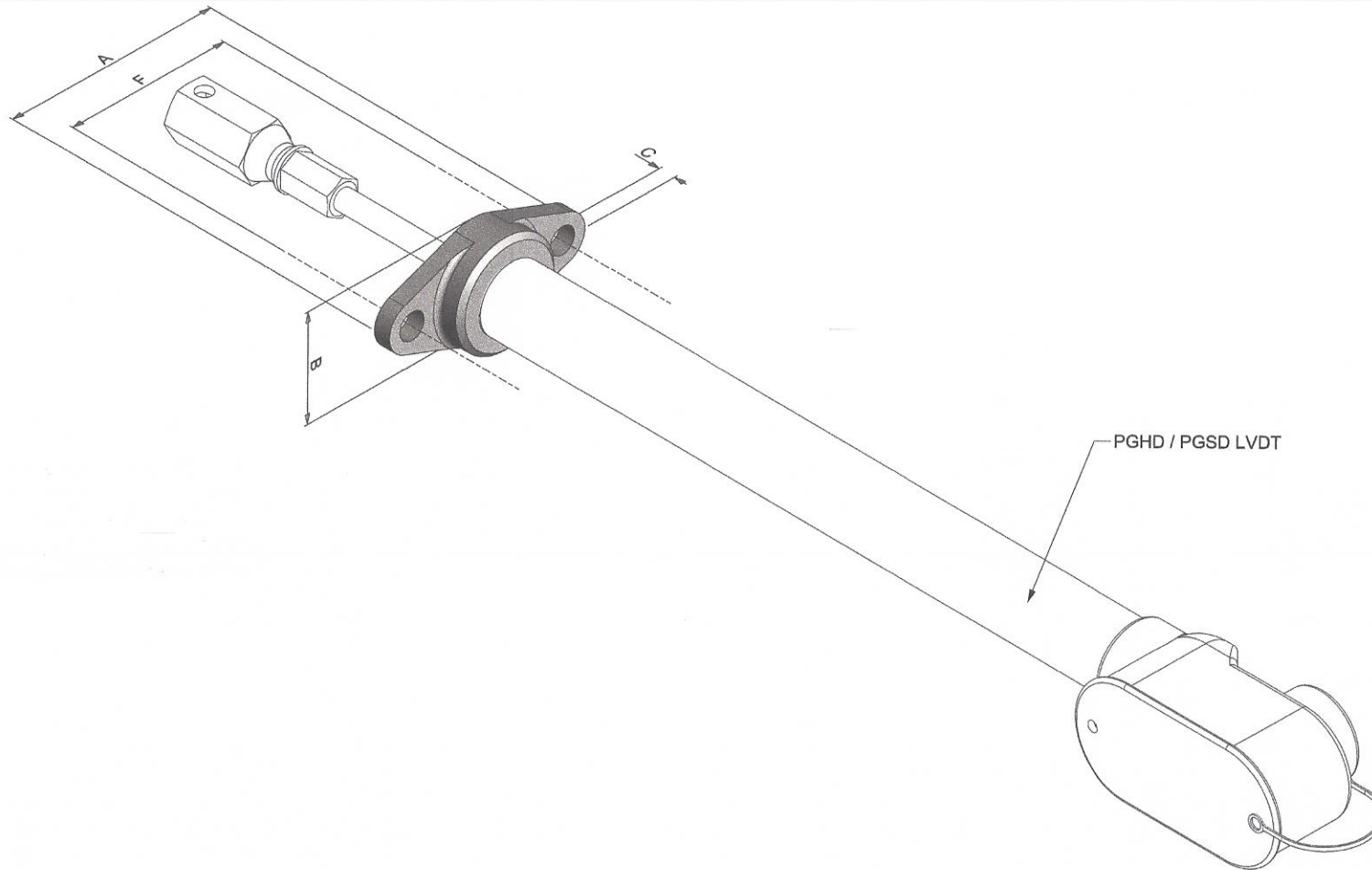


COMPUTER GENERATED DOCUMENTATION MAKE NO REVISIONS!		
REV	DESCRIPTION	DATE
A	PRODUCTION RELEASE	11/16/2011



NOTES:
 NOTE 1: METRIC DIMENSIONS IN MILLIMETERS ARE IN PARENTHESES
 NOTE 2: N/A MEANS NOT APPLICABLE OR APPROPRIATE TO MOUNTING
 NOTE 3: HEIGHT DOES NOT INCLUDE MOUNTING SCREW HEAD HEIGHT
 NOTE 4: METRIC SCREW SIZE IS ALTERNATIVE, NOT EXACT EQUIVALENT

DIMENSION IDENTIFICATION		A	B	C	D	E	F	G	H
DESCRIPTION	LVDT TYPE	LENGTH	THICK	HEIGHT	CENTER HEIGHT	CENTER CENTER	MOUNTING CENTER	SCREW SIZE	SCREW LENGTH
2 HOLE FLANGE SINGLE	PGHD	3.25 (82.5)	1.63 (41)	0.63 (16)	N/A	N/A	2.50 (63.5)	3/8 (M10)	N/A
	PGSD	3.25 (82.5)	1.63 (41)	0.63 (16)	N/A	N/A	2.50 (63.5)	3/8 (M10)	N/A

 UNLESS OTHERWISE SPECIFIED DIMENSIONS ARE IN INCHES. TOLERANCES ARE: DECIMAL ANGLE X.XX = ±0.01 ±0° 30' X.XXX = ±0.005 DUAL DIMENSIONS 1.00in (25.4mm) NEXT ASSY USED ON	PROPRIETARY NOTICE INFORMATION CONTAINED IN THIS DOCUMENT IS THE PROPERTY OF EVERRIGHT SENSORS. DO NOT DISTRIBUTE OR COPY WITHOUT WRITTEN PERMISSION.		TITLE: GENERAL ASSEMBLY DRAWING 2 HOLE FLANGE SINGLE THF KIT DWG NO. SIZE REVISION C A
	APPROVALS	DATE	
	DRAWN: JSB	11/16/11	
	CHECKED:		
APPROVED:		Scale = 1:1	Sheet 1 of 1