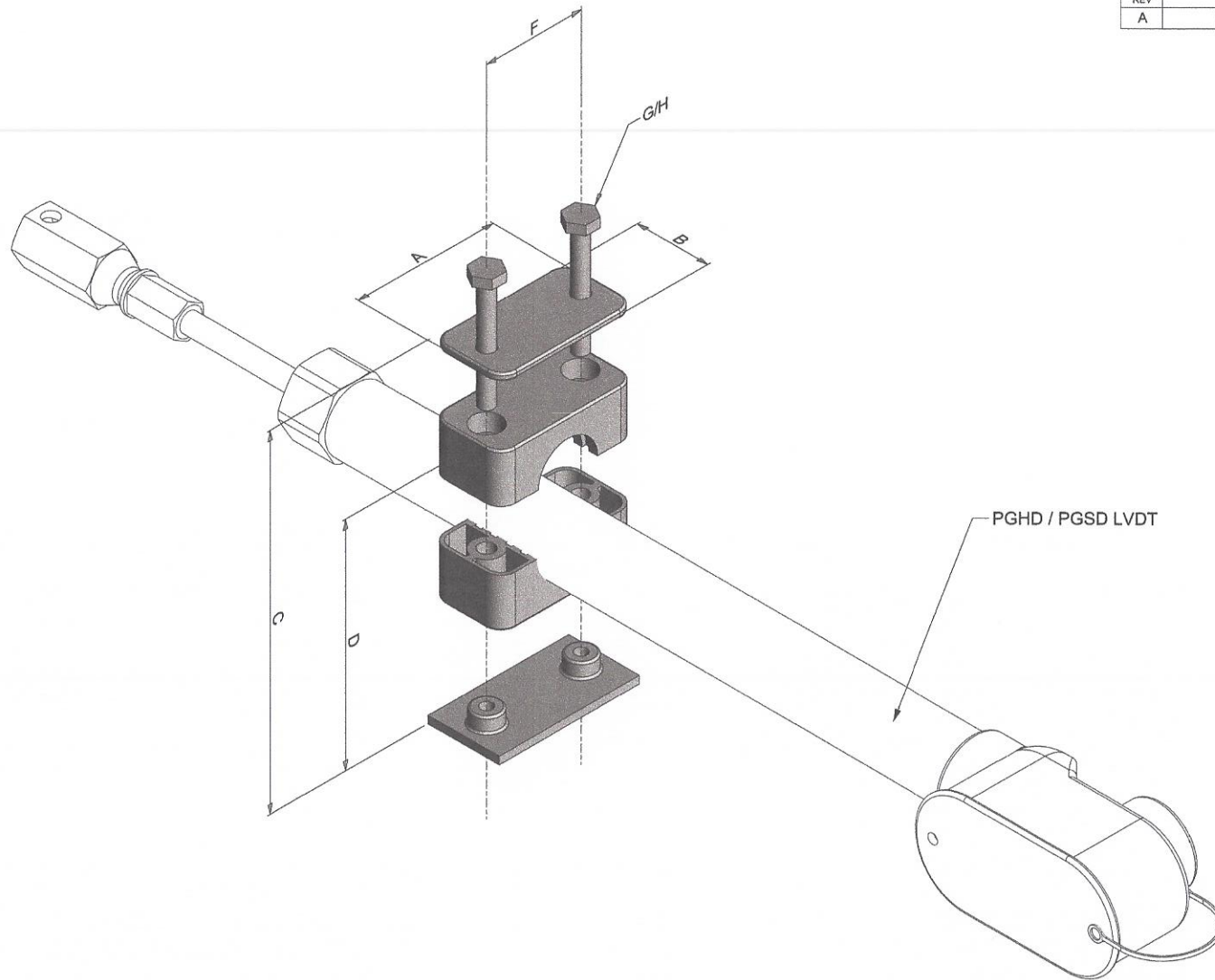


COMPUTER GENERATED DOCUMENTATION MAKE NO REVISIONS		
REV	DESCRIPTION	DATE
A	PRODUCTION RELEASE	11/16/2011



NOTES:
 NOTE 1: METRIC DIMENSIONS IN MILLIMETERS ARE IN PARENTHESES
 NOTE 2: N/A MEANS NOT APPLICABLE OR APPROPRIATE TO MOUNTING
 NOTE 3: HEIGHT DOES NOT INCLUDE MOUNTING SCREW HEAD HEIGHT
 NOTE 4: METRIC SCREW SIZE IS ALTERNATIVE, NOT EXACT EQUIVALENT

DIMENSION IDENTIFICATION		A	B	C	D	E	F	G	H
DESCRIPTION	LVDT TYPE	LENGTH	THICK	HEIGHT	CENTER HEIGHT	CENTER CENTER	MOUNTING CENTER	SCREW SIZE	SCREW LENGTH
STAUFF STANDARD SINGLE	PGHD	2.32 (59)	1.18 (30)	1.89 (48)	0.945 (24)	N/A	1.57 (40)	1/4-20 (M6)	1.62 (42)
	PGSD	2.80 (71)	1.18 (30)	2.52 (64)	1.26 (32)	N/A	2.05 (52)	1/4-20 (M6)	2.38 (57)

 UNLESS OTHERWISE SPECIFIED DIMENSIONS ARE IN INCHES TOLERANCES ARE: DECIMAL ANGLE X.XX = ±0.01 ±0°30' X.XXX = ±0.005 DUAL DIMENSIONS 1.00in [25.4mm]	PROPRIETARY NOTICE INFORMATION CONTAINED IN THIS DOCUMENT IS THE PROPERTY OF EVERRIGHT SENSORS DO NOT DISTRIBUTE OR COPY WITHOUT WRITTEN PERMISSION		TITLE: GENERAL ASSEMBLY DRAWING STAUFF STANDARD SINGLE	
	APPROVALS: _____ DATE: _____ DRAWN: JSB 11/16/11 CHECKED: _____ APPROVED: _____	DWG NO. _____ USED ON _____		SIZE: C REVISION: A