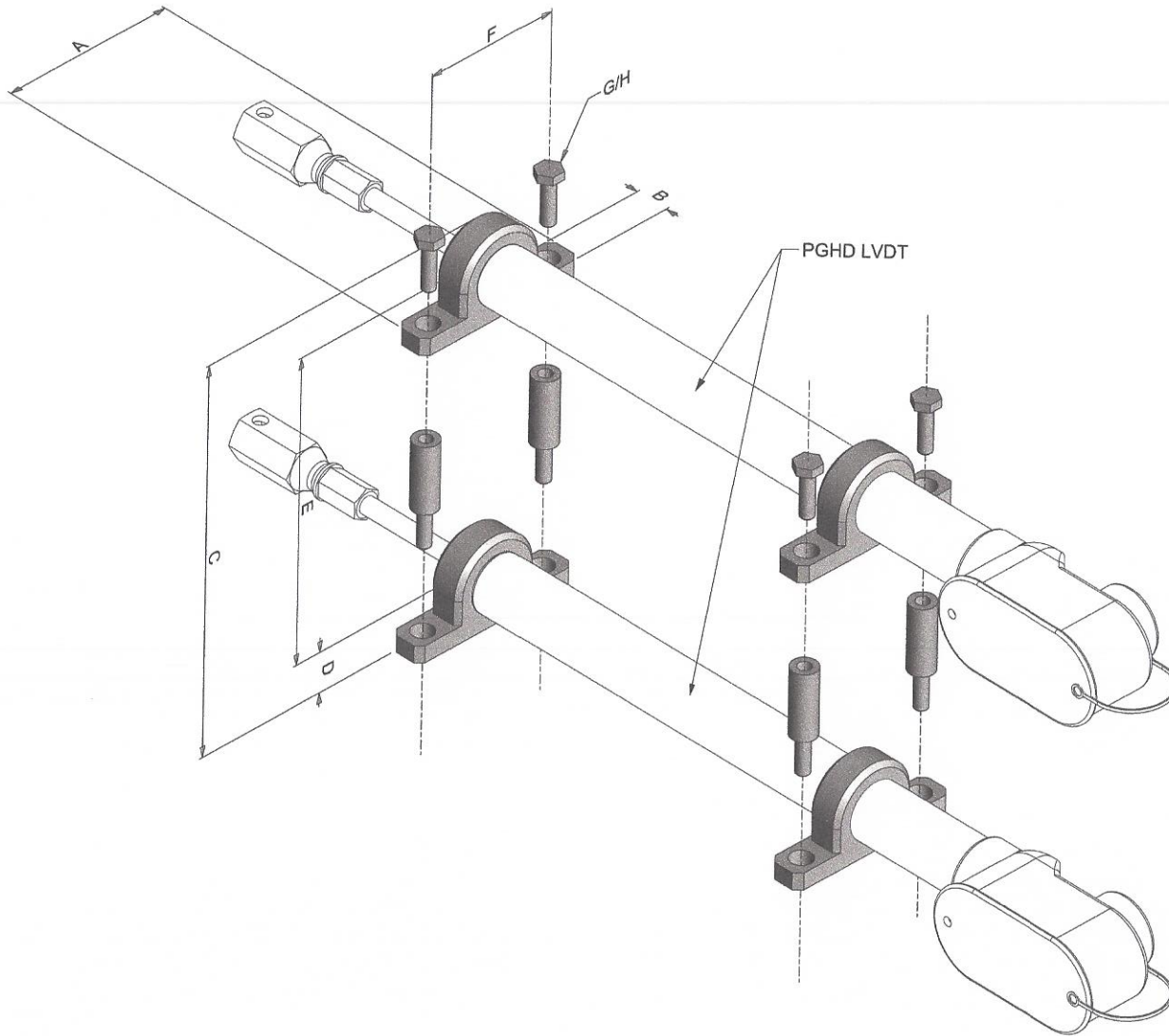


COMPUTER GENERATED DOCUMENTATION MAKE NO REVISIONS!		
REV	DESCRIPTION	DATE
A	PRODUCTION RELEASE	11/16/2011



- NOTES:
 NOTE 1: METRIC DIMENSIONS IN MILLIMETERS ARE IN PARENTHESES
 NOTE 2: N/A MEANS NOT APPLICABLE OR APPROPRIATE TO MOUNTING
 NOTE 3: HEIGHT DOES NOT INCLUDE MOUNTING SCREW HEAD HEIGHT
 NOTE 4: METRIC SCREW SIZE IS ALTERNATIVE, NOT EXACT EQUIVALENT

DIMENSION IDENTIFICATION		A	B	C	D	E	F	G	H
DESCRIPTION	LVDT TYPE	LENGTH	THICK	HEIGHT	CENTER HEIGHT	CENTER CENTER	MOUNTING CENTER	SCREW SIZE	SCREW LENGTH
GE REPLACEMENT STACKED	PGHD	3.25 (82.5)	0.63 (16)	3.33 (84.5)	0.75 (19)	1.77 (45)	2.50 (63.5)	3/8-24 (M10)	N/A

	PROPRIETARY NOTICE INFORMATION CONTAINED IN THIS DOCUMENT IS THE PROPERTY OF EVERIGHT SENSORS DO NOT DISTRIBUTE OR COPY WITHOUT WRITTEN PERMISSION		TITLE: GENERAL ASSEMBLY DRAWING GE REPLACEMENT STACKED	
	DECIMAL ANGLE X.XX = ±0.01 ±0° 30' X.XXX = ±0.005	APPROVALS DRAWN: JSB CHECKED: APPROVED:	DATE 11/16/11	DWG NO. GES-HD
DUAL DIMENSIONS 1.00in [25.4mm] NEXT ASSY USED ON	DO NOT SCALE DRAWING Scale = 2:1		Sheet 1 of 1	