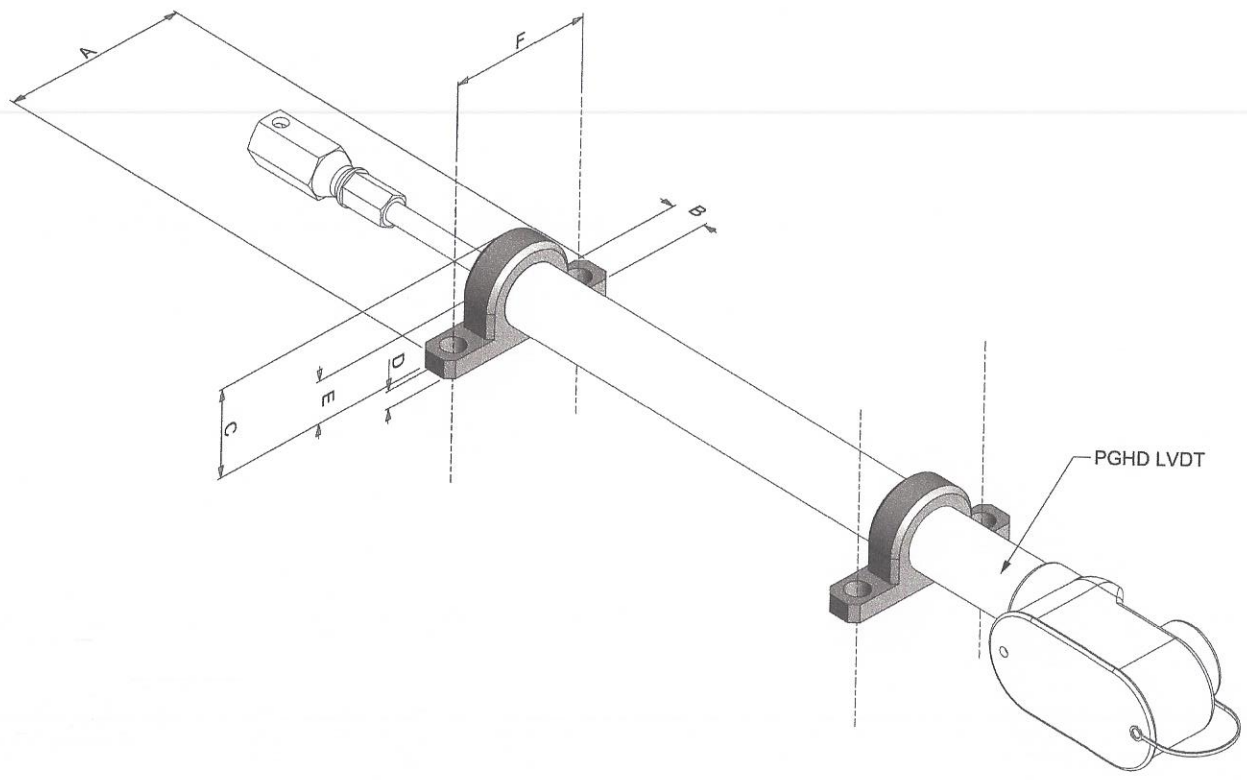


COMPUTER GENERATED DOCUMENTATION MAKE NO REVISIONS 1		
REV	DESCRIPTION	DATE
A	PRODUCTION RELEASE	11/16/2011



NOTES:
 NOTE 1: METRIC DIMENSIONS IN MILLIMETERS ARE IN PARENTHESES
 NOTE 2: N/A MEANS NOT APPLICABLE OR APPROPRIATE TO MOUNTING
 NOTE 3: HEIGHT DOES NOT INCLUDE MOUNTING SCREW HEAD HEIGHT
 NOTE 4: METRIC SCREW SIZE IS ALTERNATIVE, NOT EXACT EQUIVALENT

DIMENSION IDENTIFICATION		A	B	C	D	E	F	G	H
DESCRIPTION	LVDT TYPE	LENGTH	THICK	HEIGHT	CENTER HEIGHT	CENTER CENTER	MOUNTING CENTER	SCREW SIZE	SCREW LENGTH
GE REPLACEMENT SINGLE	PGHD	3.25 (82.5)	0.63 (16)	1.56 (39.7)	0.75 (19)	N/A	2.50 (63.5)	3/8 (M10)	N/A

<p>UNLESS OTHERWISE SPECIFIED DIMENSIONS ARE IN INCHES. TOLERANCES ARE:</p> <p>DECIMAL ANGLE X.XX = ±0.01 ±0° 30' X.XXX = ±0.005</p> <p>DUAL DIMENSIONS 1.00in [25.4mm]</p> <p>NEXT ASSY</p> <p>USED ON</p>	PROPRIETARY NOTICE INFORMATION CONTAINED IN THIS DOCUMENT IS THE PROPERTY OF EVERIGHT SENSORS. DO NOT DISTRIBUTE OR COPY WITHOUT WRITTEN PERMISSION.		TITLE: GENERAL ASSEMBLY DRAWING GE REPLACEMENT SINGLE	
	APPROVALS	DATE	DWG NO.	
	DRAWN: JSB	11/16/11	SIZE: C REVISION: A	
	CHECKED:		Scale = 2:1	
APPROVED:		DO NOT SCALE DRAWING		Sheet 1 of 1