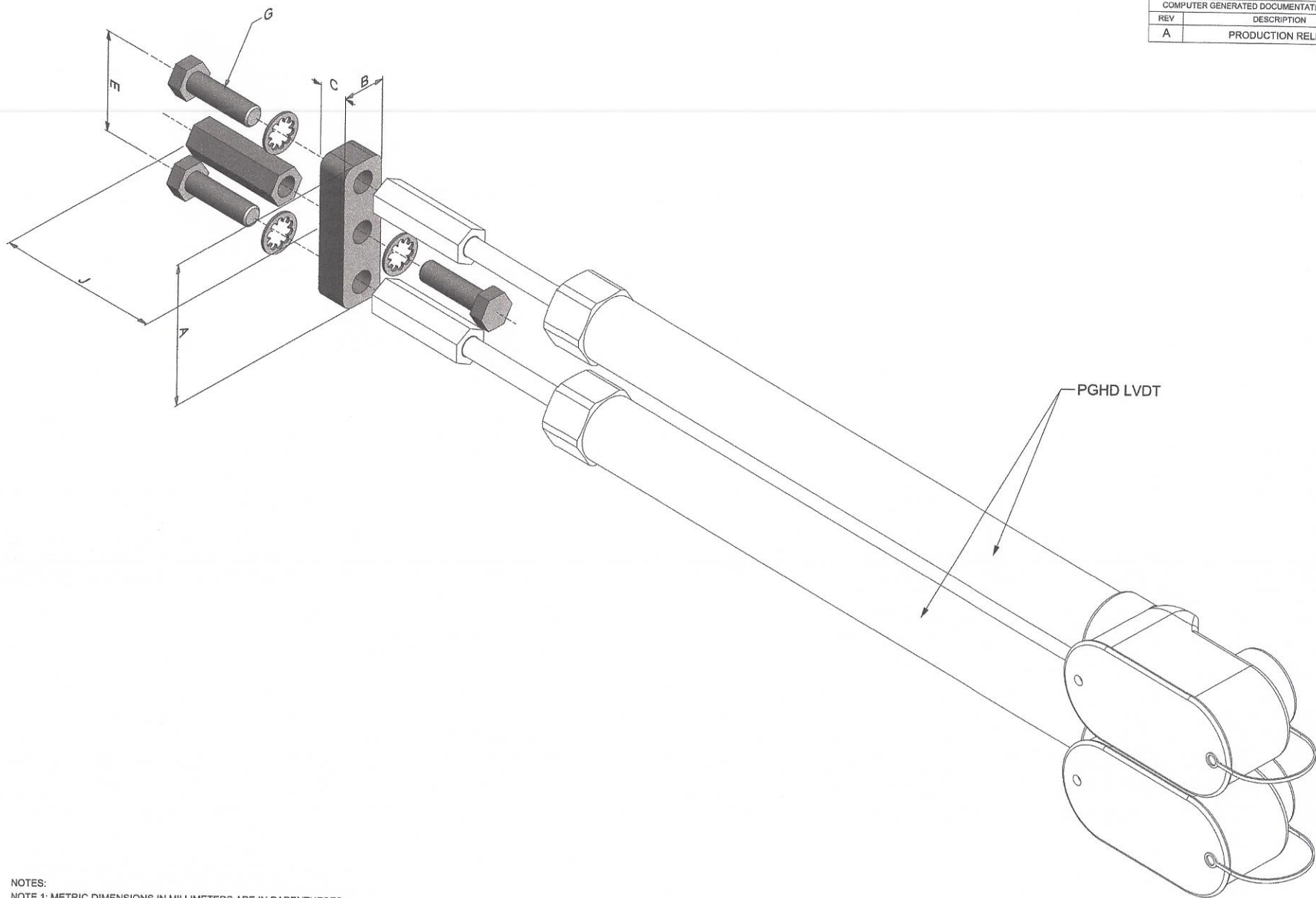


COMPUTER GENERATED DOCUMENTATION MAKE NO REVISIONS		
REV	DESCRIPTION	DATE
A	PRODUCTION RELEASE	11/16/2011



NOTES:
 NOTE 1: METRIC DIMENSIONS IN MILLIMETERS ARE IN PARENTHESES
 NOTE 2: N/A MEANS NOT APPLICABLE OR APPROPRIATE TO MOUNTING
 NOTE 3: HEIGHT DOES NOT INCLUDE MOUNTING SCREW HEAD HEIGHT
 NOTE 4: METRIC SCREW SIZE IS ALTERNATIVE, NOT EXACT EQUIVALENT

DIMENSION IDENTIFICATION		A	B	C	D	E	F	G	H	J
DESCRIPTION	LVDT TYPE	LENGTH	THICK	HEIGHT	CENTER HEIGHT	CENTER CENTER	MOUNTING CENTER	SCREW SIZE	SCREW LENGTH	NUT PROJECTION
DUAL CORE ROD TIE BAR	PGHD	2.50 (63.5)	0.75 (19)	0.50 (12.7)	N/A	1.77 (45)	N/A	3/8-24	N/A	1.75 (43.2)

UNLESS OTHERWISE SPECIFIED DIMENSIONS ARE IN INCHES TOLERANCES ARE:	DECIMAL ANGLE
X.XX = ±0.01	±0° 30'
X.XXX = ±0.005	
DUAL DIMENSIONS 1.00in (25.4mm)	
NEXT ASSY	APPROVED:
USED ON	DO NOT SCALE DRAWING

PROPRIETARY NOTICE	
INFORMATION CONTAINED IN THIS DOCUMENT IS THE PROPERTY OF EVERIGHT SENSORS. DO NOT DISTRIBUTE OR COPY WITHOUT WRITTEN PERMISSION.	
APPROVALS	DATE
DRAWN: JSB	11/16/11
CHECKED:	
APPROVED:	
DO NOT SCALE DRAWING	

TITLE: GENERAL ASSEMBLY DRAWING	
DUAL CORE ROD TIE BAR	
DWG NO.	DTB KIT
SIZE	REVISION
C	A
Scale = 2:1	
Sheet 1 of 1	