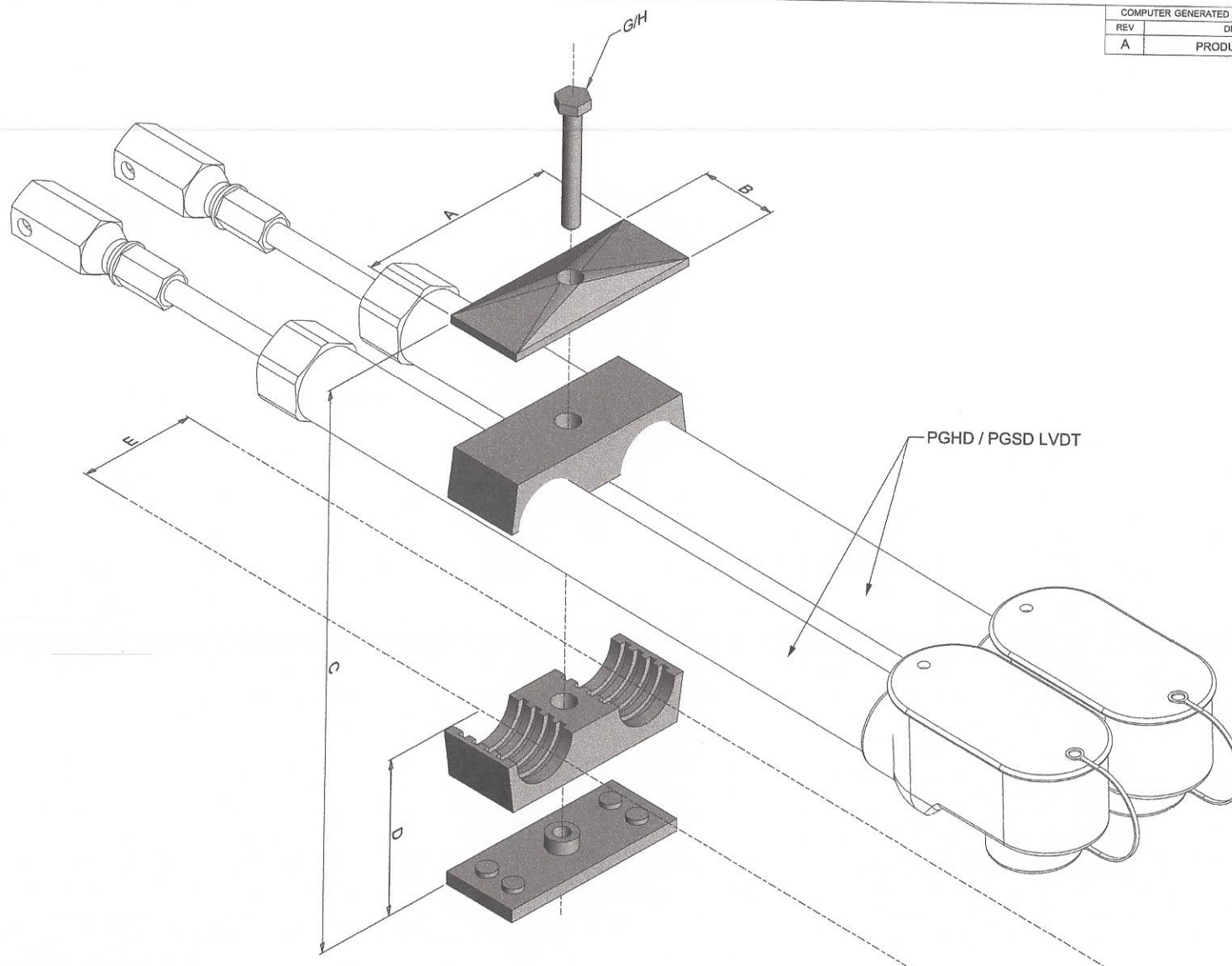


COMPUTER GENERATED DOCUMENTATION MAKE NO REVISIONS		
REV	DESCRIPTION	DATE
A	PRODUCTION RELEASE	11/16/2011



NOTES:  
 NOTE 1: METRIC DIMENSIONS IN MILLIMETERS ARE IN PARENTHESES  
 NOTE 2: N/A MEANS NOT APPLICABLE OR APPROPRIATE TO MOUNTING  
 NOTE 3: HEIGHT DOES NOT INCLUDE MOUNTING SCREW HEAD HEIGHT  
 NOTE 4: METRIC SCREW SIZE IS ALTERNATIVE, NOT EXACT EQUIVALENT

DIMENSION IDENTIFICATION		A	B	C	D	E	F	G	H
DESCRIPTION	LVDT TYPE	LENGTH	THICK	HEIGHT	CENTER HEIGHT	CENTER CENTER	MOUNTING CENTER	SCREW SIZE	SCREW LENGTH
STAUFF DUAL SIDE BY SIDE	PGHD	3.14 (80)	1.18 (30)	2.04 (52)	0.985 (25)	1.77 (45)	N/A	5/16-18 (M8)	1.75 (45)
	PGSD	4.17 (106)	1.18 (30)	2.55 (65)	1.23 (31.5)	2.20 (56)	N/A	5/16-18 (M8)	2.00 (50)

UNLESS OTHERWISE SPECIFIED DIMENSIONS ARE IN INCHES TOLERANCES ARE:		APPROVALS		DATE	TITLE
DECIMAL	ANGLE				GENERAL ASSEMBLY DRAWING STAUFF DUAL SIDE BY SIDE
X.XX = ±0.01	±0° 30'			11/16/11	
X.XXX = ±0.005		DRAWN: JSB			DWG NO. DSS SERIES KIT
DUAL DIMENSIONS 1.00in [25.4mm]		CHECKED:			
NEXT ASSY		APPROVED:			REVISION A
USED ON		DO NOT SCALE DRAWING		Scale = 1:1	Sheet 1 of 1