

SPECIFICATIONS:

Analog I/Os: (See Note 1)

- 0 - 3 V DC output, 5 V DC input, 40 mA max.
- 0 - 5 V DC output, 8 - 30 V DC input, 40 mA max.
- 0.5 - 4.5 V DC output, 8 - 30 V DC input, 40 mA max.
- 0 - 10 V DC output, 12 - 30 V DC input, 40 mA max.
- 4 - 20 mA DC output, 18 - 30 V DC input, 60 mA max. (75 C max.)

Measuring Ranges: See Range Table

Zero and Full Scale: SenSet Adjustable

Linearity Error: ±0.15% FSO (Full Span Output) typical, ±0.25% of FSO max.

Resolution: 0.025% of FSO

Update Rate: 300 Hz nominal

Operating Temperature Range: -20 to 85 C (-40 to 105 C extended temp.)

Temperature Coefficient: ≤±0.015% of FSO/K

Humidity: 95% RH non-condensing

Vibration: 5 - 20 Hz, 0.5 inch p-p; 20 - 2000 Hz, 4.2 g p-p

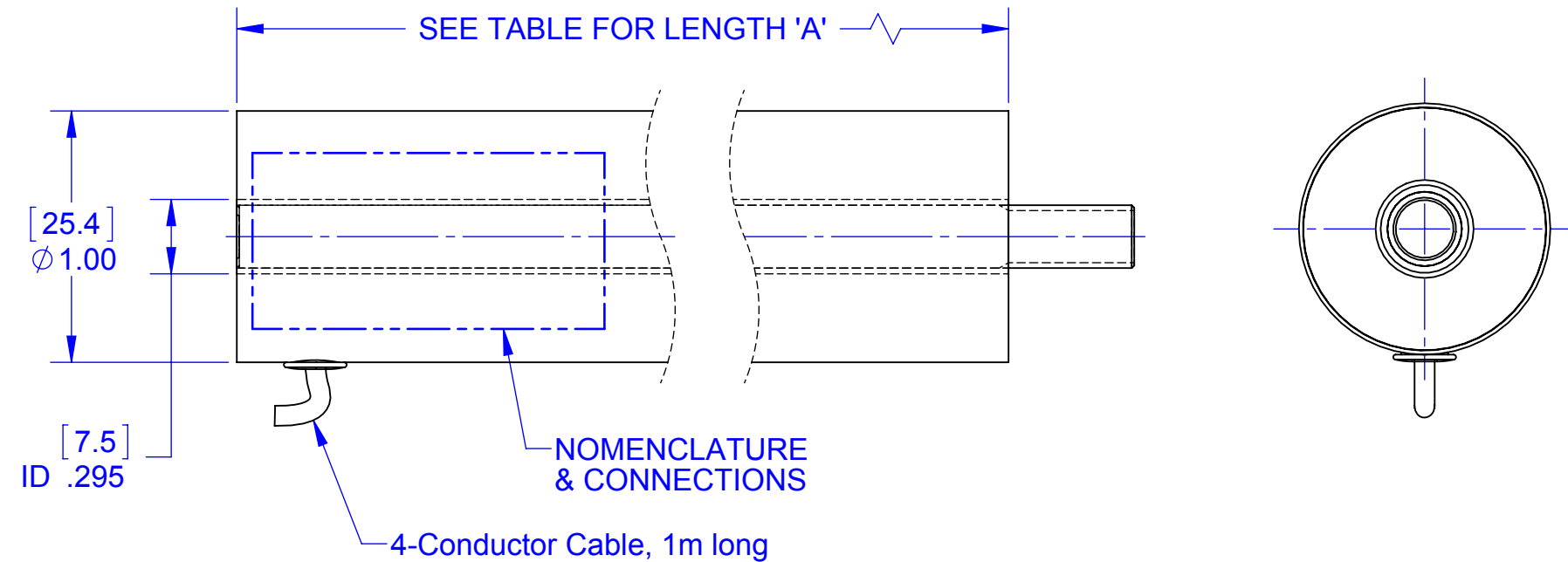
Shock: 1000 g, 11 msec.

Note 1:

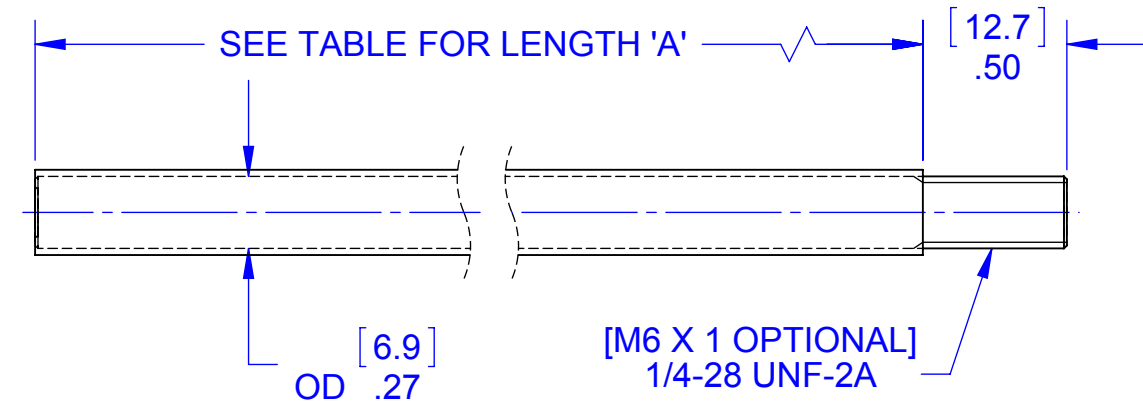
Standard output is at maximum with core extended; consult LZ-25 data sheet to specify reversed output.

REVISIONS			
REV.	DESCRIPTION	DATE	APPROVED
A	INITIAL RELEASE	07-01-2015	EH
B	RANGE TABLE MODIFIED VIEW OF CORE ADDED	08-17-2015	EH

ASSEMBLY



CORE



LZ-25 Range Table

Nominal Range		Length "A"
Inches	mm	Inches (mm)
2.0	50	3.00 (76.2)
4.0	100	5.00 (127.0)
6.0	150	7.00 (177.8)
8.0	200	9.25 (235.0)
10.0	250	11.25 (336.6)
12.0	300	13.25 (317.5)
15.0	375	16.50 (419.1)
18.0	450	19.50 (495.3)
24.0	600	25.50 (647.7)
30.0	750	31.50 (800.1)
36.0	900	37.50 (952.5)

LZ-25 Connection Table

I/O Function	Cable Color
+ Power Input	Red
Ground	Black
Analog output	Green
SenSet™	White

UNLESS OTHERWISE SPECIFIED: 1. DO NOT SCALE DRAWING 2. DIMENSIONS ARE IN INCHES 3. INTERPRET DIM/TOL PER ANSI Y14.5M-1994 4. DEBURR/BREAK SHARP EDGES 5. DIMS ARE BEFORE FINISH 6. (DATA) FOR REFERENCE ONLY		CONTRACT NO. --	
TOLERANCES		DRAWN BY: SP	DATE: 05-16-2015
DECIMAL: .XX ±.010 .XXX ±.005	ANGULAR: ±.5°	ENGINEER: Ed Herceg	DATE: 08-06-2015
THIRD ANGLE PROJECTION		CHECKED BY: Ed Herceg	QA: --
		MFG: --	APPROVED BY: --

ALLIANCE SENSORS GROUP
A DIVISION OF H.G. SCHAEVITZ LLC
Moorestown, New Jersey USA alliancesensors.com

LZ-25-XX-R
OUTLINE

SIZE: B	CAGE CODE: N/A	DWG. NO.: 3020-0002-XX-Y	REV: B
FILENAME: 3020-0002-XX-Y	SCALE: N/A	RELEASE DATE: --	SHEET 1 OF 1

DWG. NO. 3020-0002-XX-Y REV. B DATE 08-17-2015 BY: S.P.