

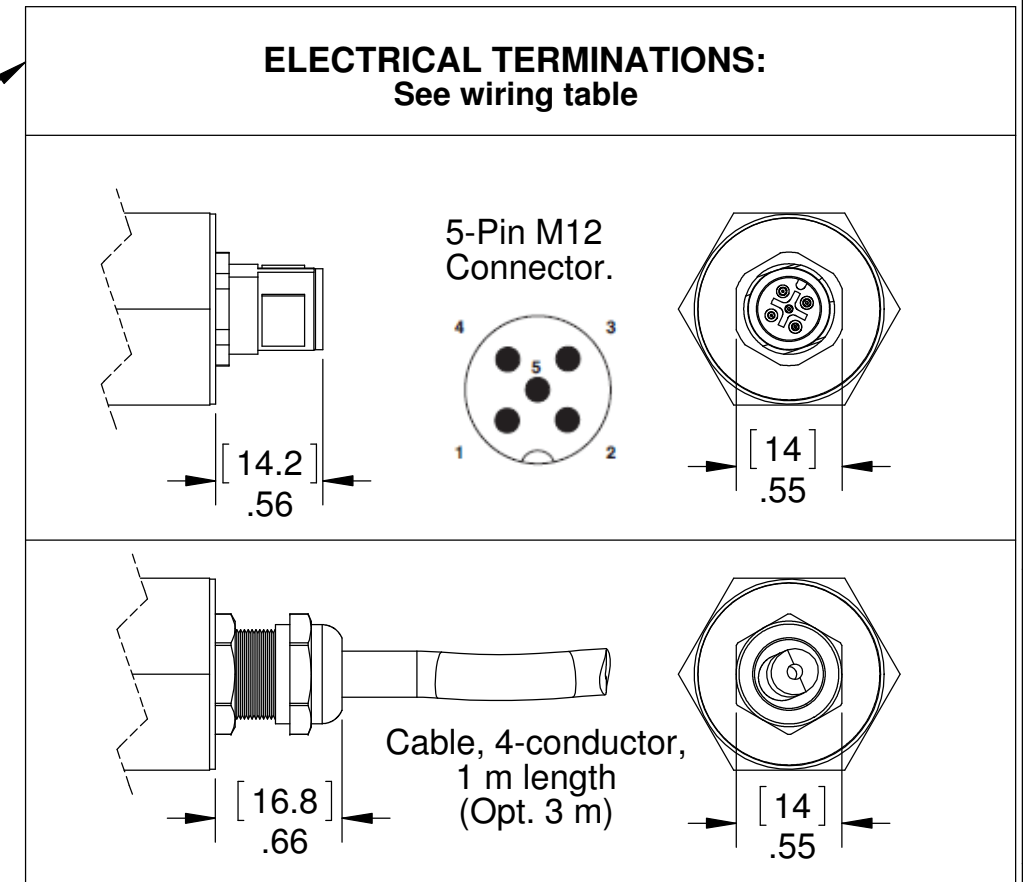
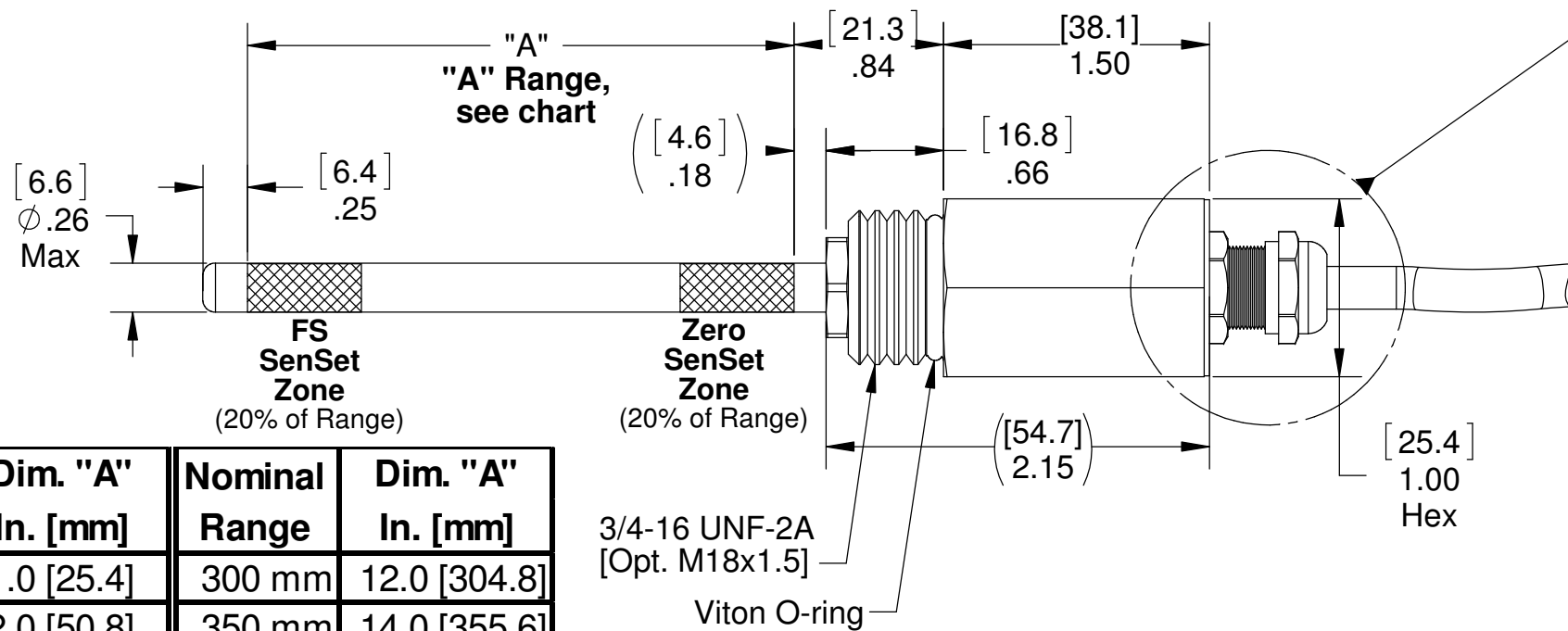
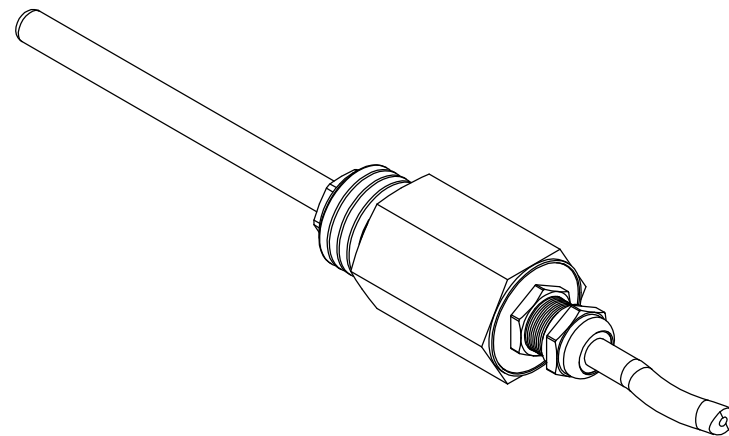
SPECIFICATIONS:

Analog I/Os: (See Note 1)
 0 - 5 V DC output, 8 - 30 V DC input, 35 mA max.
 0.5 - 4.5 V DC output, 8 - 30 V DC input, 35 mA max.
 0 - 10 V DC output, 12 - 30 V DC input, 35 mA max.
 4 - 20 mA DC output, 18 - 30 V DC input, 60 mA max. (75 C max.)
 Measuring Ranges: See range table
 Zero and Full Scale: SenSet Adjustable
 Linearity Error: ±0.15% of FSO (Full Span Output) typical, ±0.25% max.
 Resolution: 0.025% of FSO
 Update Rate: 300 Hz nominal
 Operating Temperature Range: -20 to 85 C (-40 to 105 C extended temp.)
 Temperature coefficient: ≤±0.015% of FSO/K
 Humidity: 95% RH non-condensing
 Vibration: 5-20 Hz, 0.5 inch p-p; 20-2000 Hz, 4.2 g p-p
 Shock: 1000 g, 11 msec.
 Pressure Media: Standard mineral oil and HWB hydraulic fluids
 Pressure Rating: 5000 psig (350 bar) max. operating, 7500 psig (520 bar) proof

Note 1. Analog output is maximum at probe tip end;
 see technical data sheet to specify reversed output.

Specifications are subject to change without notice.

REVISIONS			
REV.	DESCRIPTION	DATE	APPROVED
A	Add Termination & Range tables, edit specs.	12-10-14	EH
B	Add mm dims, add Ordering Guide, edit specs	01-09-15	EH
C	Update Specifications to V2	02-02-15	EH
D	Update Termination configurations for shorter housing	04-20-15	EH
E	Change dim .84 [21.3] (was .94 [23.9], add cable description.	01-04-16	EH
F	Edit dim ϕ .26 (was .27), reference ECN 16-177	09-20-16	EH
G	Update Range Table	04-16-18	EH



Nominal Range	Dim. "A" In. [mm]	Nominal Range	Dim. "A" In. [mm]
25 mm	1.0 [25.4]	300 mm	12.0 [304.8]
50 mm	2.0 [50.8]	350 mm	14.0 [355.6]
75 mm	3.0 [76.2]	400 mm	16.0 [406.4]
100 mm	4.0 [101.6]	450 mm	18.0 [457.2]
125 mm	5.0 [127.0]	500 mm	20.0 [508.0]
150 mm	6.0 [152.4]	600 mm	24.0 [609.6]
175 mm	7.0 [177.8]	700 mm	28.0 [711.2]
200 mm	8.0 [203.2]	750 mm	30.0 [762.0]
225 mm	9.0 [228.6]	800 mm	32.0 [812.8]
250 mm	10.0 [254.0]	900 mm	36.0 [914.4]

Ordering Guide	
Model	Output
MHPE	Voltage
MHPI	Current

MHPX-7-XX I/O Function	Conn. Pin	Cable Color
+ Power Input	1	Red
Ground	2	Black
Voltage Output	3	Green
Current Output	4	Green
SenSet™	5	White

UNLESS OTHERWISE SPECIFIED:
 1. DO NOT SCALE DRAWING
 2. DIMENSIONS ARE IN INCHES
 3. INTERPRET DIM/TOL PER ANSI Y14.5M-1994
 4. DEBURR/BREAK SHARP EDGES
 5. DIMS ARE BEFORE FINISH
 6. (DATA) FOR REFERENCE ONLY

TOLERANCES
 DECIMAL: .XX ±.010 .XXX ±.005
 ANGULAR: ±.5°
 THIRD ANGLE PROJECTION

CONTRACT NO. --
 DRAWN BY: G E Miller
 ENGINEER: Ed Herceg
 CHECKED BY: Ed Herceg
 DATE: 10-23-14
 DATE: 10-23-14

APPROVED BY: --

ALLIANCE SENSORS GROUP
 A DIVISION OF H.G. SCHAEVITZ LLC
 Moorestown, New Jersey USA alliancesensors.com

MHPX-7 LVIT Series Ass'y
 Outline

SIZE: **B** CAGE CODE: N/A DWG. NO.: **3000-0018-XX** REV: **G**

SCALE: 1:1 RELEASE DATE: -- SHEET 1 OF 1

DWG. NO. 3000-0018-XX REV. G EDITION 04-16-18 BY: GEM