

**SPECIFICATIONS:**

Analog I/Os: (See Note 1)

- 0 - 5 V DC output, 8 - 30 V DC input, 35 mA max.
- 0.5 - 4.5 V DC output, 8 - 30 V DC input, 35 mA max.
- 0 - 10 V DC output, 12 - 30 V DC input, 35 mA max.
- 4 - 20 mA DC output, 18 - 30 V DC input, 60 mA max. (75 C max.)

Measuring Ranges: See range table

Zero and Full Scale: SenSet Adjustable

Linearity Error: ±0.15% of FSO (Full Span Output) typical, ±0.25% max.

Resolution: 0.025% of FSO

Update Rate: 300 Hz nominal

Operating Temperature Range: -20 to 85 C (-40 to 105 C extended temp.)

Temperature coefficient: ≤±0.015% of FSO/K

Humidity: 95% RH non-condensing

Vibration: 5 - 20 Hz, 0.5 inch p-p; 20 - 2000 Hz, 4.2 g p-p

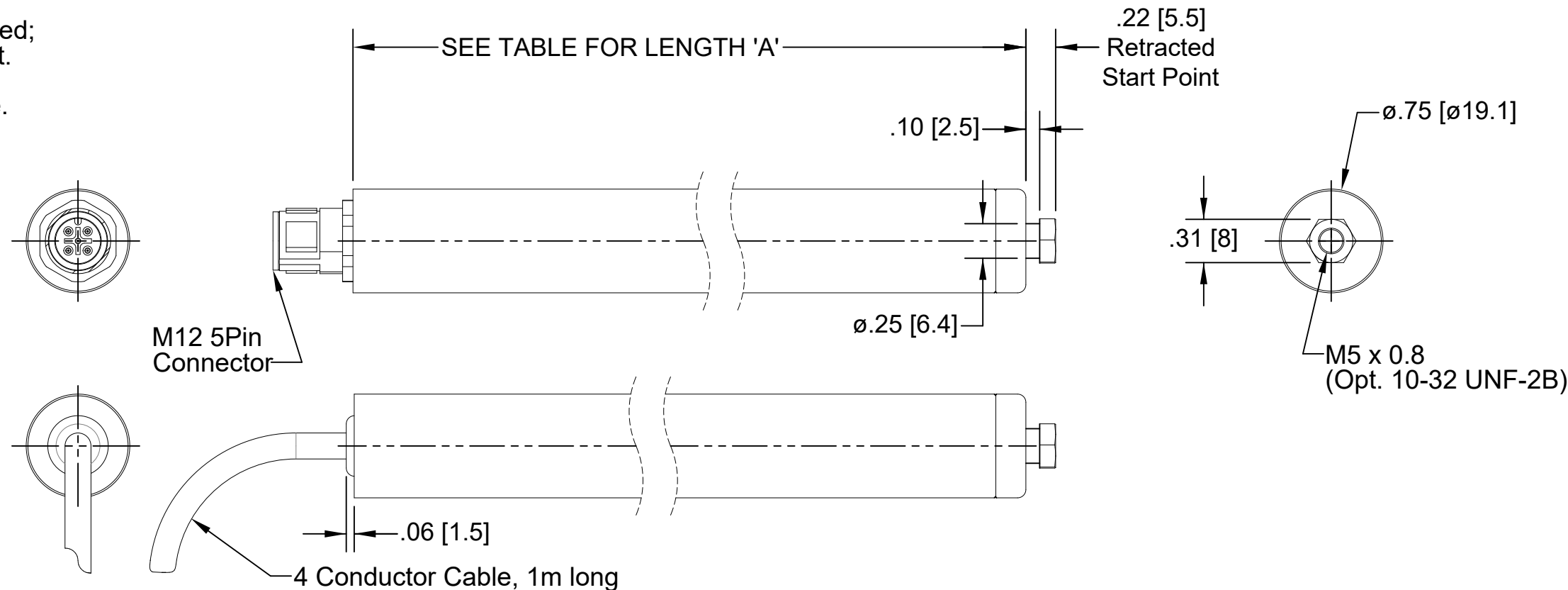
Shock: 1000 g, 11 msec.

Sealing: IEC IP-67

Note 1: Analog output is maximum with rod extended; see technical data sheet to specify reversed output.

Specifications are subject to change without notice.

REVISIONS			
REV.	DESCRIPTION	DATE	APPROVED
A	Update Specifications	02-06-15	EH
B	Edited Retracted Start Point	10-23-15	EH
C	Unit Length Table & Bushing Housing modified	03-25-16	EH



**UNIT LENGTH TABLE**

NOMINAL RANGE	'A' BODYLENGTH
1.0 inch [25 mm]	3.74 inches [95.0 mm]
2.0 inches [50 mm]	4.74 inches [120.4 mm]
3.0 inches [75 mm]	5.74 inches [145.8 mm]
4.0 inches [100 mm]	6.74 inches [171.2 mm]
6.0 inches [150 mm]	8.74 inches [222.0 mm]
8.0 inches [200 mm]	10.74 inches [272.8 mm]

**LRX-19-A Connections Table**

Function	Pin	Cable Color
DC Power Input	1	Red
Ground	2	Black
LRE voltage output	3	Green
LRE current output	4	Green
SenSet™	5	White

UNLESS OTHERWISE SPECIFIED:		CONTRACT NO.	
1. DO NOT SCALE DRAWING		--	
2. DIMENSIONS ARE IN INCHES		DRAWN BY: G E Miller	
3. INTERPRET DIM/TOL PER ANSI Y14.5M-1994		DATE: 10-02-14	
4. DEBURR/BREAK SHARP EDGES		ENGINEER: Ed Herceg	
5. DIMS ARE BEFORE FINISH		CHECKED BY: Ed Herceg	
6. (DATA) FOR REFERENCE ONLY		DATE: 10-02-14	
TOLERANCES		QA: --	
DECIMAL: ±.010	ANGULAR: ±.5°	MFG: --	
XXX ±.005		APPROVED BY: --	
THIRD ANGLE PROJECTION		FILENAME: 3000-0012-XX, LR-19-A Series LVIT Outline	

**ALLIANCE SENSORS GROUP**

A DIVISION OF H. G. SCHAEVITZ LLC  
Moorestown, New Jersey USA [alliancesensors.com](http://alliancesensors.com)

**LRX-19-A Series LVIT**  
Outline

SIZE: B	CAGE CODE: N/A	DWG. NO.: 3000-0012-XX	REV: C
SCALE: 1:1	RELEASE DATE: --	SHEET 1 OF 1	

DWG. NO. 3000-0012-XX REV C LAST 03-25-16 BY: SP