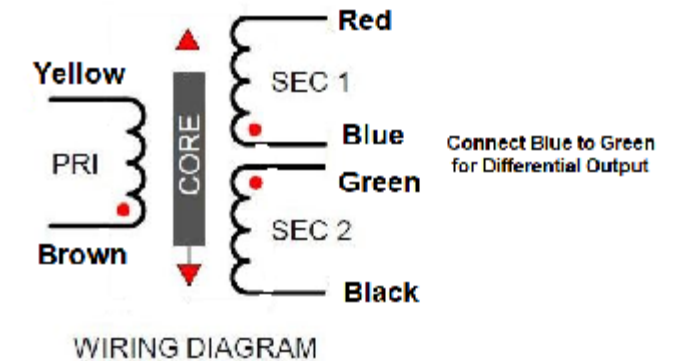
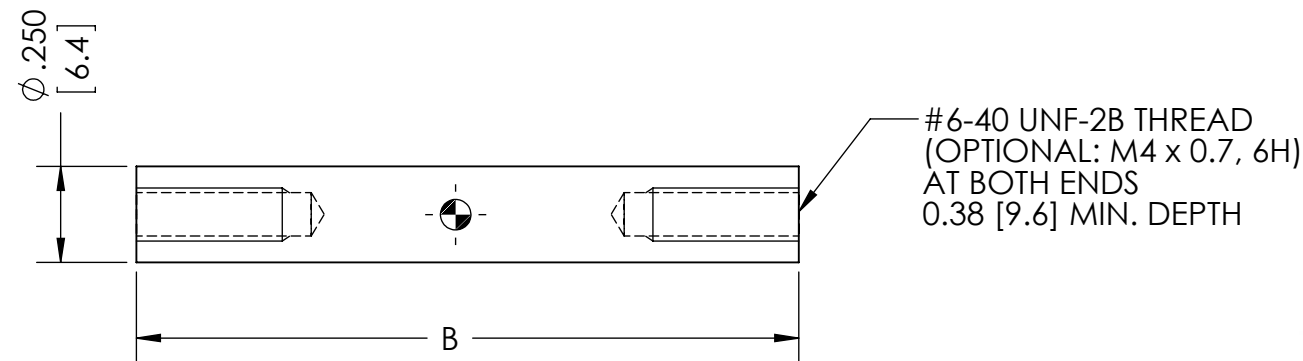
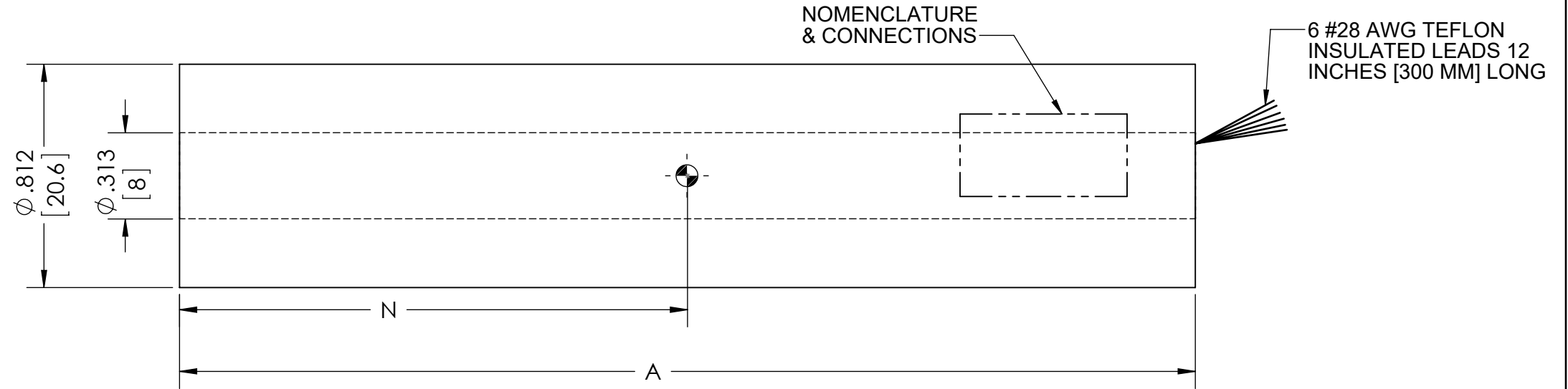


REVISIONS			
REV.	DESCRIPTION	DATE	APPROVED
--	INITIAL RELEASE	12-04-17	EH

**LVDT GENERAL SPECIFICATIONS:**

Input Voltage: 3.0 Vrms (nominal)  
 Input Frequency: 2.5 to 3.3 kHz  
 Measuring Ranges: See table below  
 Sensitivity: See table below  
 Linearity Error:  $\leq \pm 0.25\%$  of FRO (Full Range Output)  
 Resolution: 0.001% of FSO (Full Scale Output)  
 Repeatability Error:  $< 0.01\%$  of FSO  
 Hysteresis Error:  $< 0.01\%$  of FSO  
 Operating Temperature Range: -55 to 125 C  
 Temperature Coefficient of Sensitivity:  $< -0.02\%$  of FSO/ $^{\circ}$ C  
 Humidity: 95% RH non-condensing  
 Vibration: 5 - 20 Hz, 0.5 inch p-p; 20 - 2000 Hz, 10g p-p  
 Shock: 1000 g, 11 msec.  
 Sealing: IEC IP-69K

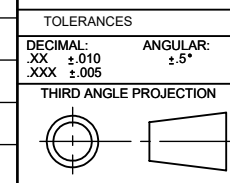
Specifications are subject to change without notice.



Nominal Range	Sensitivity	Primary Z	Body Length A	Core Length B	Null Point N	Body Weight	Core Weight
inches [mm]	mV/V/.001in [mm]	Ohms	inches [mm]	inches [mm]	inches [mm]	oz. [grams]	oz. [grams]
$\pm 0.05$ [1.3]	6.50 [255]	400	1.13 [28.7]	0.80 [20.3]	0.56 [14.3]	1.02 [29]	0.14 [4.0]
$\pm 0.10$ [2.5]	4.00 [155]	1000	1.75 [44.5]	1.25 [31.7]	0.88 [22.2]	1.41 [40]	0.22 [6.2]
$\pm 0.20$ [5.0]	2.40 [95]	1900	2.50 [63.5]	1.65 [41.9]	1.25 [31.7]	1.73 [48]	0.30 [8.5]
$\pm 0.50$ [12.5]	0.65 [25]	1400	5.02 [127.5]	3.45 [87.6]	2.51 [63.7]	2.82 [80]	0.72 [20.4]
$\pm 1.00$ [25]	0.65 [25]	1650	6.51 [165.4]	3.45 [87.6]	3.25 [82.5]	3.81 [108]	0.72 [20.4]
$\pm 2.00$ [50]	0.39 [15]	1875	10.02 [254.5]	5.30 [134.6]	5.01 [127.2]	5.00 [142]	1.20 [34.0]
$\pm 3.00$ [75]	0.26 [10]	1950	12.75 [323.9]	6.20 [157.5]	6.38 [161.9]	7.69 [218]	1.47 [41.7]
$\pm 4.00$ [100]	0.18 [7.1]	425	15.20 [386.1]	6.20 [157.5]	7.60 [193.0]	9.80 [278]	1.47 [41.7]
$\pm 5.00$ [125]	0.13 [5.1]	1050	17.75 [450.9]	6.20 [157.5]	8.88 [225.4]	11.71 [332]	1.47 [41.7]
$\pm 7.50$ [190]	0.12 [4.3]	1380	22.85 [580.4]	7.00 [177.8]	11.43 [290.2]	16.93 [480]	1.51 [42.8]
$\pm 10.00$ [250]	0.08 [3.1]	1050	30.64 [778.3]	9.50 [241.3]	15.32 [389.1]	20.53 [582]	2.20 [62.4]

UNLESS OTHERWISE SPECIFIED:  
 1. DO NOT SCALE DRAWING  
 2. DIMENSIONS ARE IN INCHES  
 3. INTERPRET DIM/TOL PER ANSI Y14.5M-1994  
 4. DEBURR/BREAK SHARP EDGES  
 5. DIMS ARE BEFORE FINISH  
 6. (DATA) FOR REFERENCE ONLY

CONTRACT NO.		--
DRAWN BY:	DATE:	12-04-17
ENGINEER:	Ed Herceg	
CHECKED BY:	Ed Herceg	
QA:	--	
MFG:	--	
APPROVED BY:	--	



**ALLIANCE SENSORS GROUP**  
 A DIVISION OF H.G. SCHAEVITZ LLC  
 Moorestown, New Jersey USA [alliancesensors.com](http://alliancesensors.com)

**LA-20.6-A-XX-12 series LVDT**  
 Outline Drawing

SIZE: **B** CAGE CODE: N/A DWG. NO.: **2000-0026-XX** REV: --

FILENAME: 2000-0026-XX SCALE: 2:1 RELEASE DATE: -- SHEET 1 OF 1

DWG. NO. 2000-0026-XX REV. -- EDITION 12-04-17 BR: S P