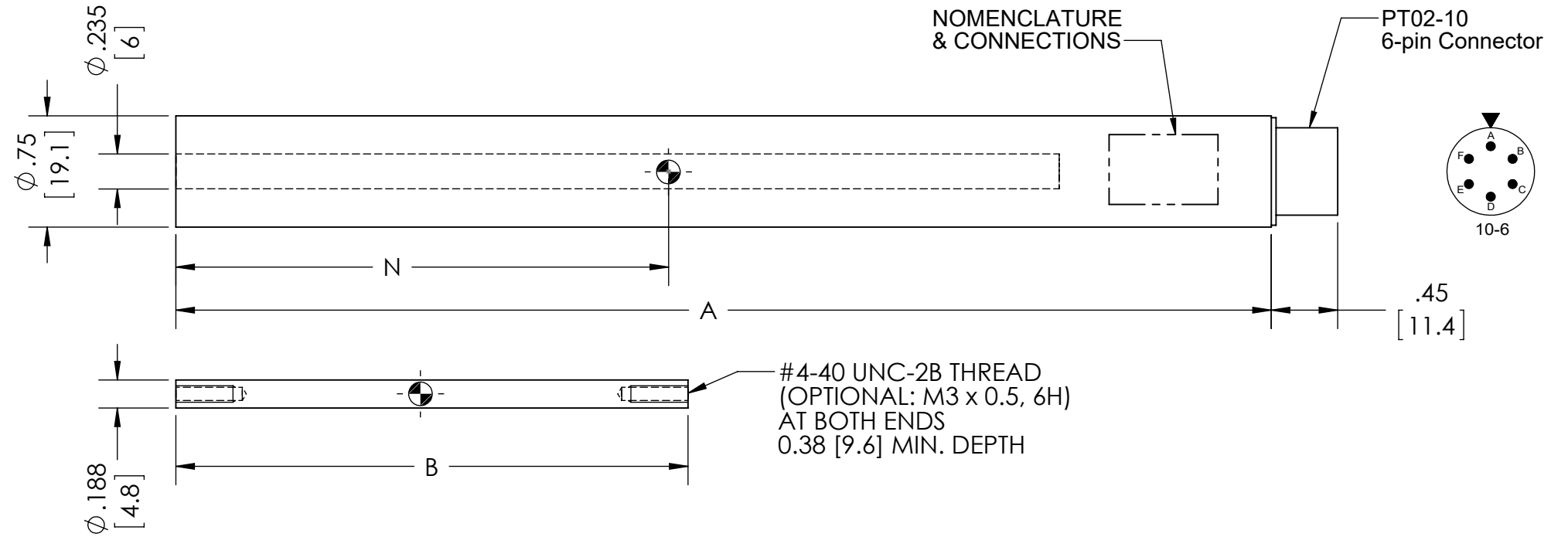


REVISIONS			
REV.	DESCRIPTION	DATE	APPROVED
--	INITIAL RELEASE	10-26-17	EH

LVDT GENERAL SPECIFICATIONS:

Input Voltage: 3.0 Vrms (nominal)
 Input Frequency: 2.5 to 3.3 kHz
 Measuring Ranges: See table below
 Sensitivity: See table below
 Linearity Error: $\leq \pm 0.25\%$ of FRO (Full Range Output)
 Resolution: 0.001% of FSO (Full Scale Output)
 Repeatability Error: $< 0.01\%$ of FSO
 Hysteresis Error: $< 0.01\%$ of FSO
 Operating Temperature Range: -55 to 125 C
 Temperature Coefficient of Sensitivity: $< -0.02\%$ of FSO/ $^{\circ}$ C
 Humidity: 95% RH non-condensing
 Vibration: 5 - 20 Hz, 0.5 inch p-p; 20 - 2000 Hz, 10g p-p
 Shock: 1000 g, 11 msec.
 Sealing: IEC IP-69K

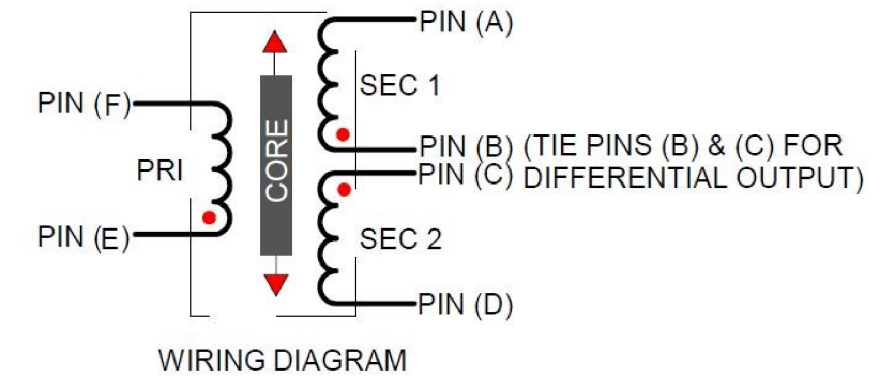
Specifications are subject to change without notice.



PT02-10-6P Connector

Pin	I/O Function
A	Secondary 1
B	Secondary 1 *
C	Secondary 2 *
D	Secondary 2
E	Primary
F	Primary

* Connect pin B to pin C for differential secondary output



Nominal Range	Sensitivity	Primary Z	Body Length A	Core Length B	Null Point N	Body Weight	Core Weight
inches [mm]	mV/V/.001in [mm]	Ohms	inches [mm]	inches [mm]	inches [mm]	oz. [grams]	oz. [grams]
± 0.05 [1.3]	6.10 [240]	325	2.01 [51.1]	0.80 [20.3]	0.63 [16]	1.6 [45]	0.08 [2.4]
± 0.12 [3.0]	3.90 [155]	735	2.64 [67.1]	1.25 [31.7]	0.94 [24]	2.1 [59]	0.12 [3.7]
± 0.25 [6.3]	2.40 [96]	1400	3.35 [85.1]	1.65 [41.9]	1.32 [33]	2.5 [71]	0.18 [4.8]
± 0.50 [12.5]	0.63 [25]	1200	5.92 [150.4]	3.45 [87.6]	2.57 [65]	3.3 [93]	0.40 [11.6]
± 1.00 [25]	0.61 [24]	1250	7.38 [167.5]	3.45 [87.6]	3.32 [84]	4.3 [122]	0.40 [11.6]
± 2.00 [50]	0.37 [15]	2150	10.91 [277.1]	5.30 [134.6]	5.07 [129]	6.2 [176]	0.65 [18.0]
± 3.00 [75]	0.25 [9.8]	2150	13.85 [346.1]	6.20 [157.5]	6.29 [160]	8.2 [232]	0.80 [22.0]
± 4.00 [100]	0.17 [6.7]	420	16.17 [410.7]	6.20 [157.5]	7.65 [194]	9.2 [260]	0.80 [22.0]
± 5.00 [125]	0.12 [4.7]	600	18.65 [473.8]	6.20 [157.5]	8.94 [227]	10.0 [283]	0.80 [22.0]
± 7.50 [190]	0.11 [4.3]	775	23.85 [605.8]	7.00 [177.8]	11.52 [293]	14.2 [402]	0.90 [25.5]
± 10.00 [250]	0.07 [2.8]	620	31.68 [804.7]	9.50 [241.3]	15.42 [392]	18.3 [519]	1.20 [34.0]

UNLESS OTHERWISE SPECIFIED:		CONTRACT NO.	
1. DO NOT SCALE DRAWING		--	
2. DIMENSIONS ARE IN INCHES		--	
3. INTERPRET DIM/TOL PER		--	
ANSI Y14.5M-1994		--	
4. DEBURR/BREAK SHARP EDGES		--	
5. DIMS ARE BEFORE FINISH		--	
6. (DATA) FOR REFERENCE ONLY		--	
TOLERANCES		DATE: 10-26-17	
DECIMAL: .XX ± 0.10		DRAWN BY: S P	
.XXX ± 0.05		ENGINEER: Ed Herceg	
ANGULAR: $\pm 5^{\circ}$		CHECKED BY: Ed Herceg	
THIRD ANGLE PROJECTION		QA: --	
MFG: --		APPROVED BY: --	

ALLIANCE SENSORS GROUP
 A DIVISION OF H.G. SCHAEVITZ LLC
 Moorestown, New Jersey USA alliancesensors.com

LHA-19-A-XX-02 Hermetically Sealed LVDT Outline

SIZE: **B** CAGE CODE: N/A DWG. NO.: **2000-0020-XX** REV: --

FILENAME: 2000-0020-XX SCALE: 1:1 RELEASE DATE: -- SHEET 1 OF 1

DWG. NO. 2000-0020-XX REV. -- EDITION 12-15-17 BR: S P